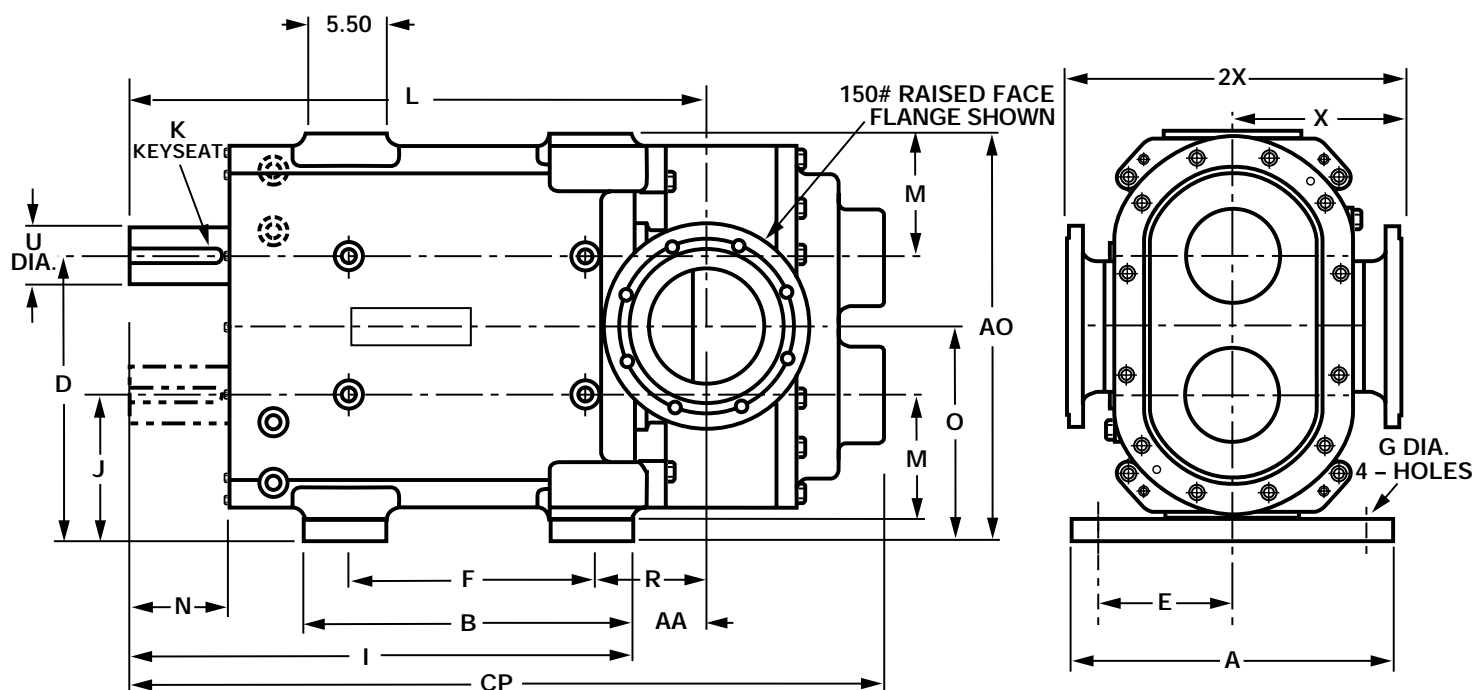


DIMENSIONS



| MODEL | | A | AA | AO | B | CP | D | E | F | G | I | J | K | L | M | N | O | R | U | X | 2X | FLANGE SIZE |
|---------|----|-------|-------|-------|-------|--------|-------|-------|-------|-------|-------|-------|------|--------|-------|-------|-------|-------|-------|-------|-------|-------------|
| 420-UHC | IN | 21.00 | 5.60 | 27.25 | 22.00 | 49.60 | 18.75 | 9.00 | 16.50 | 1.06 | 33.60 | 9.75 | 1.00 | 39.19 | 8.50 | 6.04 | 14.25 | 8.35 | 3.875 | 11.25 | 22.50 | ANSI |
| 423-UHC | MM | 533.4 | 142.7 | 692.2 | 558.8 | 1259.8 | 476.2 | 228.6 | 419.1 | 26.92 | 853.4 | 247.6 | 25.4 | 995.4 | 215.9 | 153.4 | 362 | 212.1 | 98.42 | 285.7 | 571.5 | 6" |
| 520-UHC | IN | 21.00 | 5.95 | 27.25 | 22.00 | 51.47 | 18.75 | 9.00 | 16.50 | 1.06 | 33.60 | 9.75 | 1.00 | 39.55 | 8.50 | 6.04 | 14.25 | 8.70 | 3.875 | 11.25 | 22.50 | ANSI |
| 523-UHC | MM | 533.4 | 151.1 | 692.2 | 558.8 | 1307.3 | 476.2 | 228.6 | 419.1 | 26.92 | 853.4 | 247.6 | 25.4 | 1004.6 | 215.9 | 153.4 | 362 | 221.0 | 98.42 | 285.7 | 571.5 | 8" |

SPECIFICATIONS

| MODEL | DISPLACEMENT PER REVOLUTION | NOMINAL CAPACITY TO | INLET/OUTLET | PRESSURE RANGE UP TO* | MAXIMUM RPM | TEMP. RANGE |
|--------------------|-----------------------------|----------------------|---------------|-----------------------|-------------|--------------------------------|
| 420-UHC 423-UHC | 1.619 GAL. (6.13 LITER) | 648 GPM (147 m³/hr.) | 6" 150 LB. RF | 200 PSI (13.8 bar) | 400 | -40° F/C to 300° F (149° C) |
| 520-UHC 523-UHC | 2.375 GAL. (8.99 LITER) | 830 GPM (187 m³/hr.) | 8" 150 LB. RF | 150 PSI (10.3 bar) | 350 | |

*Contact application engineering for higher pressure applications.