

CATALOG

PNEUMACAPPER & PNEUMAPLUGGER

2 HD. CLASS #3341 & 3345

4 HD. CLASS #3340 & 3344

6 HD. CLASS #3339 & 3343

8 HD. CLASS #3338 & 3342

PNEUMATIC SCALE CORPORATION  
North Quincy, Massachusetts

Revised February 1966  
Miss D.C. Guillotte  
Retyped June 1967

Aug. 1967 ?

# TABLE OF CONTENTS

Small Chuck	Plate 6096
Medium Chuck	Plate 6097
Large Chuck	Plate 6098
Extra Large & Giant Chuck	Plate 6099
Vertical Drives, Safety & Clamping Table	Plate 6261-1-13
Spider	Plate 6262
Handwheel Mechanism	Plate 6263 - A
Elevating Mechanism	Plate 6264
Turret & Capping Chuck Drive	Plate 6265 - A · B
Turret & No-Bottle - No-Cap Safety	Plate 6266 - A <sup>1-2</sup> · B
Synchro Drive	Plate 6267
Motor Drive	Plate 6268
Helix Mounting & Drive	Plate 6269
Yielding Rail	Plate 6270
Capping Chuck Drive	Plate 6271
Spindle Speed Gearings(1 & 2 Chuck Turns)	Plate 6272
Spindle Speed Gearings(2 & 3 Chuck Turns)	Plate 6273
Spindle Speed Gearings(2, 3 & 4 Turns)	Plate 6274
Spindle Speed Gearings (1, 2, 3 & 4 Chuck Turns)	Plate 6275
Plugging & Corking Chuck	Plate 6276 6277 6278

ITEM NO.

PART NO.

PART NAME

SMALL CHUCK - STD.

1	W-16720	O-Ring (Pt. of Gr.)
2	W-16721	Reg. Button Stud (Pt. of Gr.)
3	203649	Chuck End
4	W-20765	O-Ring
5	W-20936	Sleeve (Pt. of Gr.)
6	203616	Piston
7	W-16482	Register Button S.P.
8	<del>204208</del> 610081	Chuck Insert S.P.
9	W-16500	Washer S.P.
10	W-16495	Retainer S.P.

SMALL CHUCK - HIGH LIFT

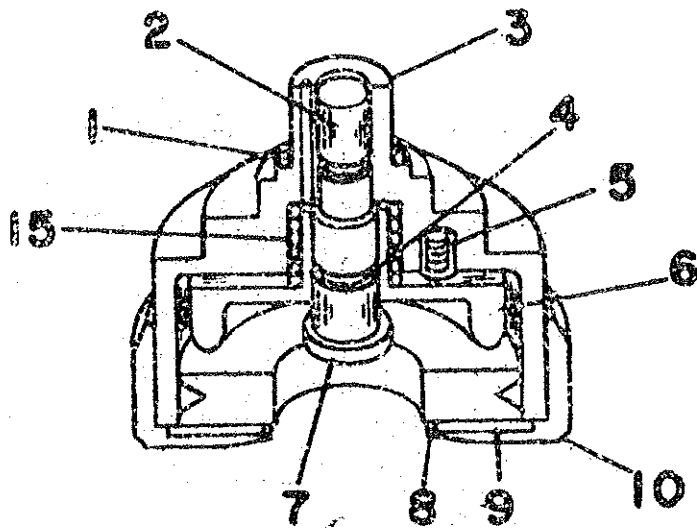
11	W-18398	Reg. Button Stud (Pt. of Gr.)
12	203653	Chuck End
13	203620	Piston
14	W-20646	Retainer S.P.

SMALL CHUCK  
FITMENT PLUGGING MACHINE

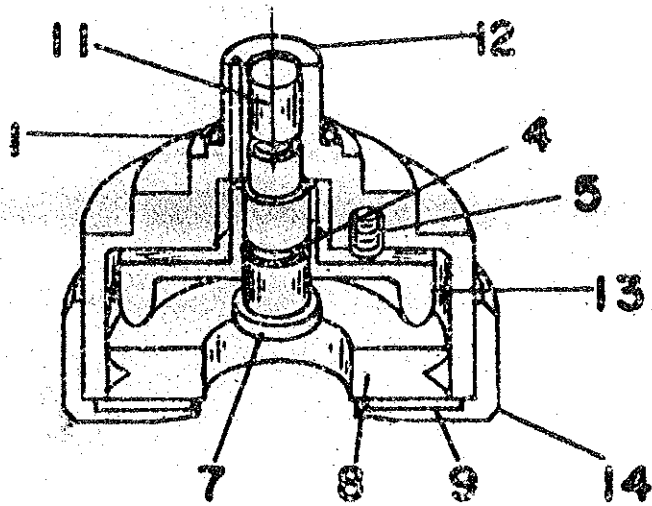
1	W-16720	O-Ring
2	W-16721	Reg. Button Stud (Pt. of Gr.)
3	203649	Chuck End
4	W-20765	O-Ring
5	W-20936	Sleeve (Pt. of Gr.)
6	W-16716	Piston
7	W-16482	Reg. Button S.P.
8	<del>204208</del> 610081	Chuck Insert S.P.
9	W-16500	Washer S.P.
10	W-16495	Retainer S.P.
15	840748	Spring

Rev. 4-22-68

PLATE 6096  
SMALL CHUCK  
2-, 4-, 6-, 8-HD. PNEUMACAP



**SMALL CHUCK**



**SMALL CHUCK  
HIGH LIFT**

**PLATE 6096**

**PNEUMACAPPER**

ITEM NO.

PART NO.

PART NAME

MEDIUM CHUCK - STD.

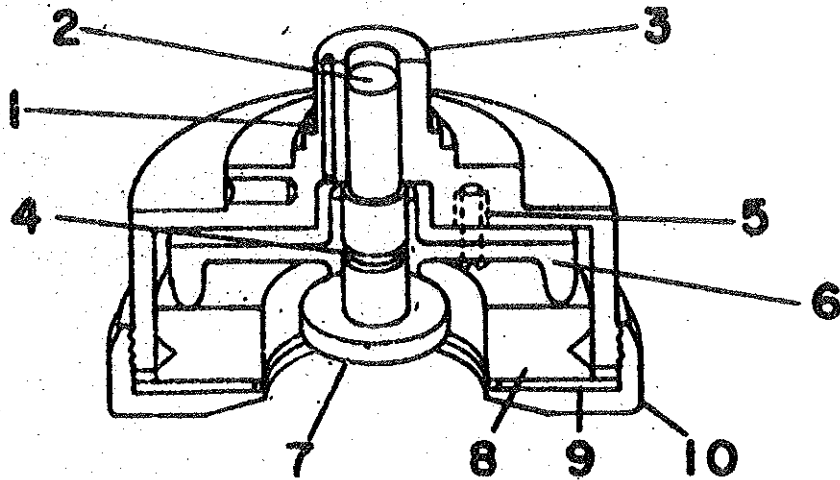
1	W-16720	O-Ring (Pt. of Gr.)
2	W-16721	Reg. Button Stud (Pt. of Gr.)
3	203650	Chuck End
4	W-20765	O-Ring
5	W-20936	Sleeve (Pt. of Gr.)
6	203617	Piston
7	W-16482	Reg. Button S.P.
8	<del>204208</del> 610082	Chuck Insert S.P.
9	W-16500	Washer S.P.
10	W-16497	Retainer S.P.

MEDIUM CHUCK - HIGH LIFT

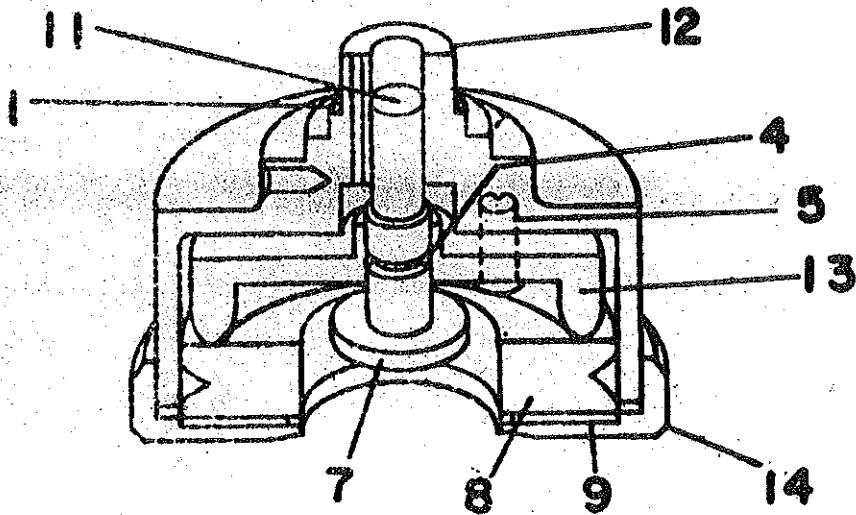
11	W-18398	Reg. Button Stud (Pt. of Gr.)
12	203654	Chuck End
13	203621	Piston
14	W-20647	Retainer S.P.

Rev. 4-22-68

PLATE 6097  
MEDIUM CHUCK  
2-, 4-, 6-, 8-HD. PNEUMACAP



**MEDIUM CHUCK**



**MEDIUM CHUCK  
HIGH LIFT**

**PLATE 6097**

**PNEUMACAP**

ITEM NO.

PART NO.

PART NAME

LARGE CHUCK - SPEC. TO 75 MM

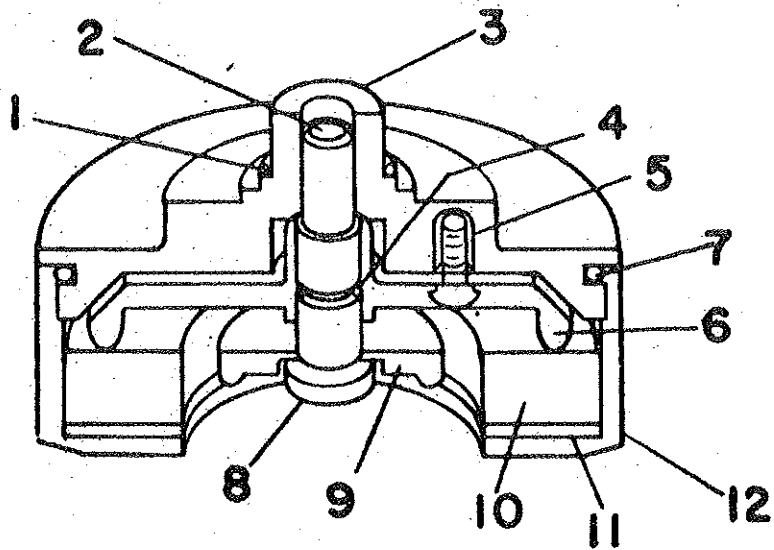
1	W-16720	O-Ring (Pt. of Gr.)
2	W-16721	Reg. Button Stud (Pt. of Gr.)
3	203651	Chuck End
4	W-20765	O-Ring
5	W-20936	Sleeve (Pt. of Gr.)
6	<del>W</del> -203622	Piston
7	W-16489	O-Ring
8	W-22306	Screw
9	W-22305	Reg. Button S.P.
10	<del>204208</del> 610083	Chuck Insert S.P.
11	W-16500	Washer S.P.
12	W-20369	Retainer S.P.

LARGE CHUCK - HIGH LIFT

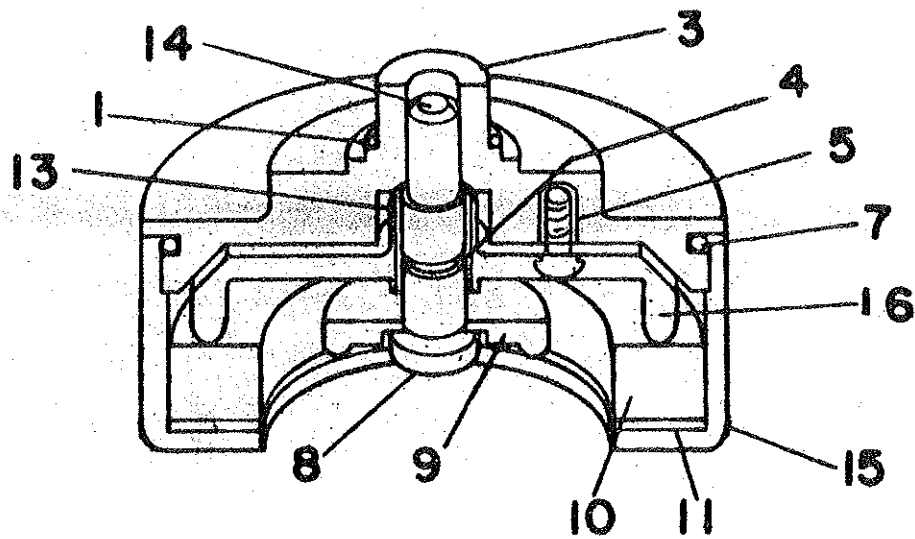
13	108X-15433	Bushing (Pt. of Gr.)
14	W-18398	Reg. Button Stud (Pt. of Gr.)
15	108X-15240	Retainer
16	108X-15432	Piston

Rev. 4-22-68

PLATE 6098  
LARGE CHUCK  
2-, 4-, 6-, 8-HD. PNEUMACAP



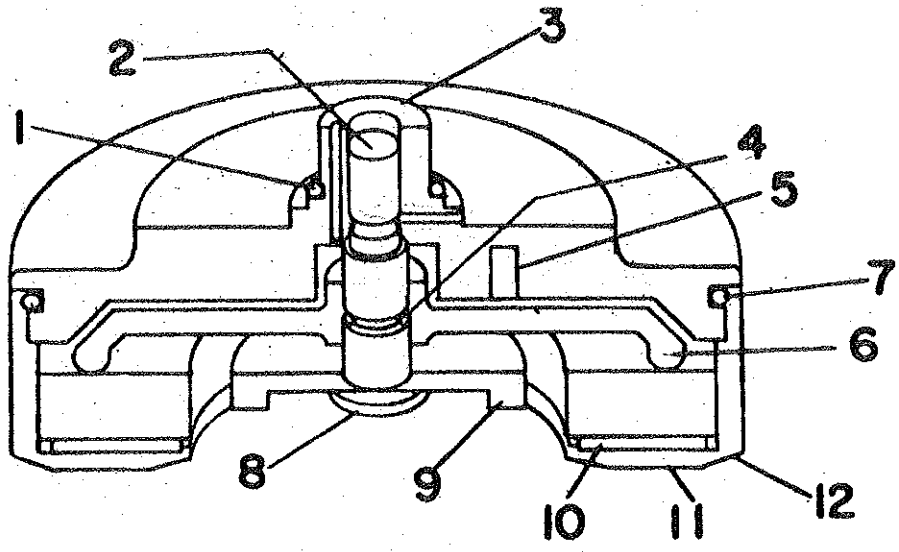
**LARGE CHUCK**



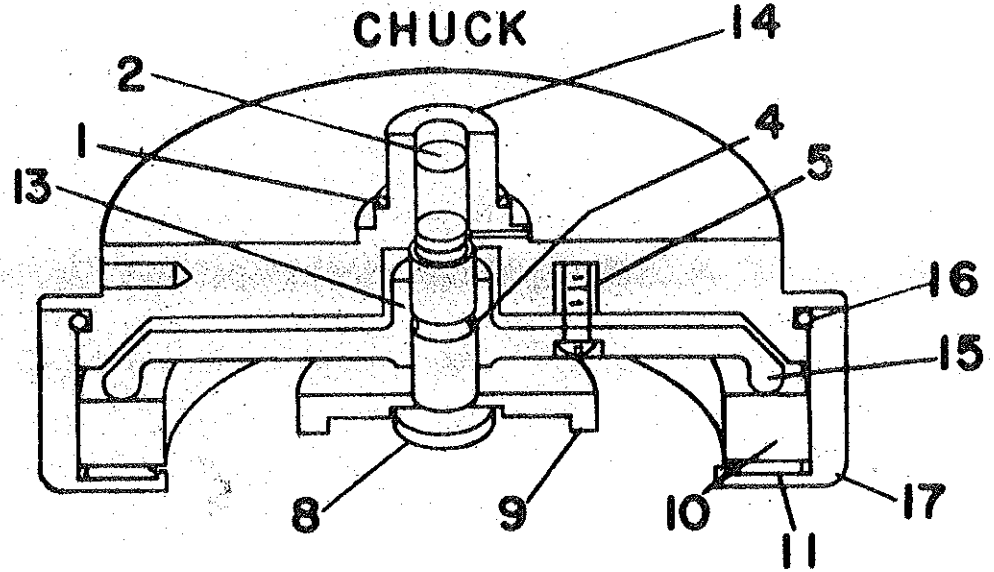
**LARGE CHUCK  
HIGH LIFT**

**PLATE 6098**

**PNEUMACAP**



**EXTRA LARGE CHUCK**



**GIANT CHUCK**

ITEM NO.

PART NO.

PART NAME

EXTRA LARGE CHUCK

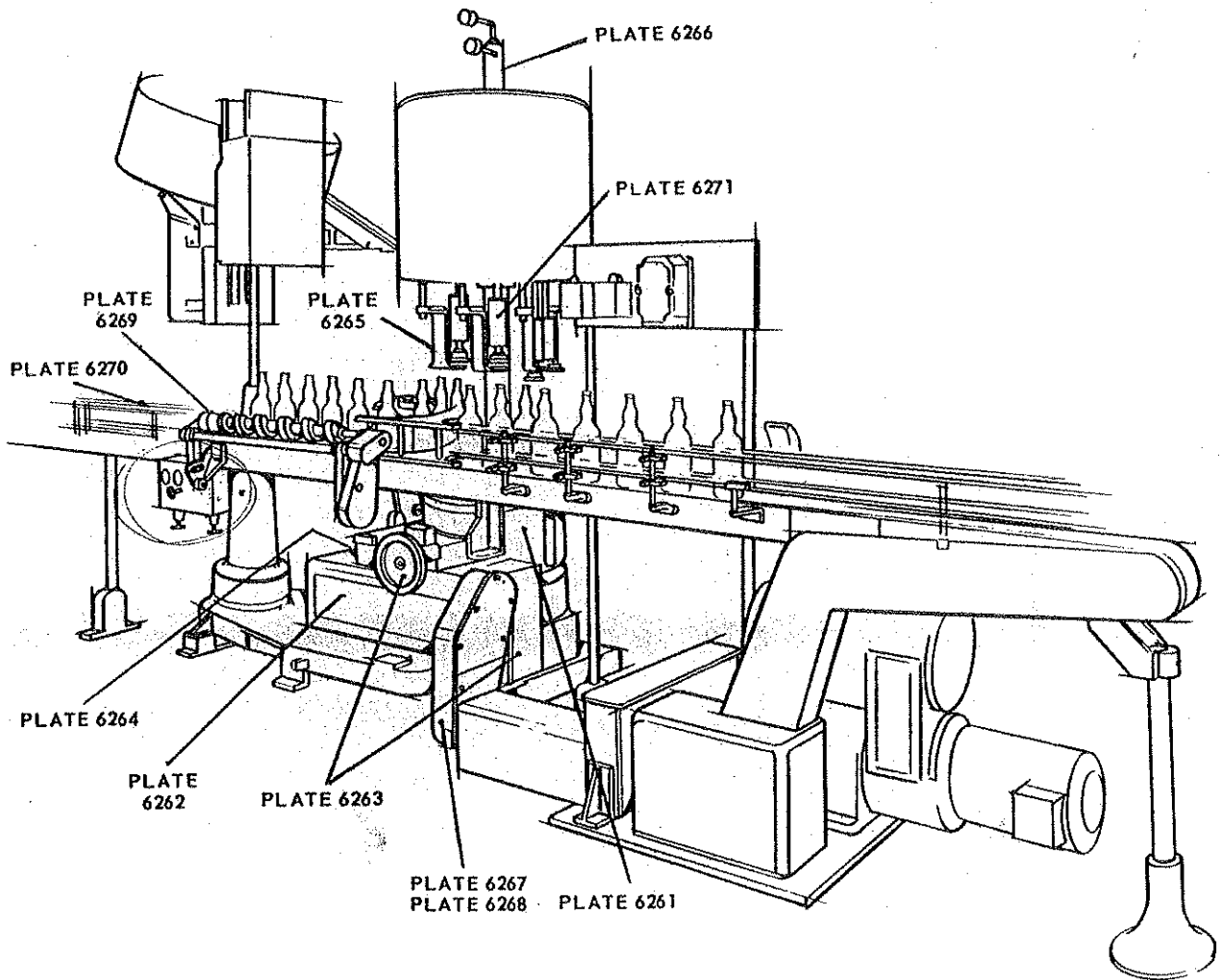
1	W-16720	O-Ring (Pt. of Gr.)
2	W-16721	Reg. Button Stud (Pt. of Gr.)
3	203652	Chuck End
4	W-20765	O-Ring
5	W-20936	Sleeve (Pt. of Gr.)
6	203619	Piston
7	W-16719	O-Ring -
8	W-22306	Screw
9	W-22305	Reg. Button S.P.
10	<del>204508</del> 010084	Chuck Insert S.P.
11	W-16500	Washer S.P.
12	W-16715	Retainer S.P.

GIANT CHUCK - (CAP TIGHTENER ONLY)

13	108X-15360	Bushing (Pt. of Gr.)
14	108X-15257	Chuck End
15	108X-15259	Piston
16	108X-15260	O-Ring
17	108X-15258	Retainer

Rev. 4-22-68

PLATE 6099  
EXTRA LARGE & GIANT CHUCK  
2-, 4-, 6-, 8-HD. PNEUMACAP



REV.	DATE	TITLE
		<b>VISUAL INDEX</b>
<b>ISSUE DATE</b> February 26, 1965		<b>PNEUMATIC SCALE CORPORATION, LIMITED</b> QUINCY 71, MASSACHUSETTS
		<b>PLATE NO.</b> 6260

<u>ITEM NO.</u>	<u>PART NO.</u>	<u>PART NAME</u>
27	W-16691	Lever 8 Hd.
	W-15399	Lever 2-4-6-Hd.
28	W-15433	Collar
29	W-8809	Pilot Screw
30	W-15378	Thrust Bearing
31	203447	Driving Tube
32	W-15344	Stop Bar
33	W-15342	Block
34	W-15541	Fork Lever
35	23272	Chain
	33462	Repair Link
	23273	Offset Link
36	W-15451	Seal
37	W-15365	Stud
38	W-15548	Table Guard
39	W-15363	Plug
	W-14597	Set Screw
40	W-15687	Locating Pin
41	840050	Nut
42	W-9140	Key
43	CM-3265	Micro-Switch Exp. Proof 460V. Max.
	W-17613	Micro-Switch Water Tight 460V. Max.
44	203383	Switch Support
45	203380	Bracket
46	203370	Shaft
47	203388	Lever
48	203378	Lever
49	203379	Support
50	8583	Collar
51	203387	Lever
52	W-19984	Fork
53	W-19073	Roll Pin
54	W-20758	Stop
55	32414	Nut
56	203384	Support
57	203386	Rod Guide
58	55620	Nut
59	203385	Connecting Rod
60	<del>W-15356</del> 840939	Seal
61	58379	Oiler
62	203389	Lever

Rev. 4-22-68

2, 4, 6, 8-HD. PNEUMACAPPER  
CLASS #3338, 3339, 3340, 3341

VERTICAL DRIVES, SAFETY & CLAMPING TABLE  
PLATE 6261 (Concluded)

<u>ITEM NO.</u>	<u>PART NO.</u>	<u>PART NAME</u>
1	W-15755	Leg.-36" Conv. Hgt.
	W-17918	Leg-40" Conv. Hgt.
2	W-15636	Base
3	W-15343	Ball Bearing
4	W-15341	Sprocket
5	W-15547	Gear
6	W-15591	Driving Tube Sleeve
7	203497	Center Post
8	W-16713	Main Bearing 8 Hd.
	W-15569	Main Bearing 2-4-6-Hd.
9	W-16704	Bottle Clamp Cam 8.Hd.
	202475	Bottle Clamp Cam 2-4-6-Hd.
10	W-16705	Clamp Cam
	202476	Clamp Cam
11	W-15357	Key
	W-14598	Screw
12	W-8828	Key
13	W-20948	Table 8 Hd.
	W-20947	Table 6 Hd.
	W-20946	Table 2-4-Hd.
	W-16697	Sheathing Ring 8.Hd.
	W-15677	Sheathing Ring 6.Hd.
	W-15719	Sheathing Ring 2-4-Hd.
14	204829	Cap
15	W-20942	Clamp Shaft
16	20509	Key
17	W-20944	Clamp Shaft 8 Hd.
	W-20943	Clamp Shaft 2-4-6-Hd.
18	W-15458	Washer
19	18616	Key
20	W-16869	Screw 8 Hd.
	W-15331	Shoulder Stud
21	W-16692	Clamp Lever 8 Hd.
	W-15329	Clamp Lever 2-4-6 Hd.
22	W-16865	Spring Conn. Link-Glass&Metal Cont.
	W-21257	Spring Conn. Link-Plastic Cont.
23	W-16868	Bearing Nut 8 Hd.
24	W-16695	Shoulder Stud 8 Hd.
	W-15330	Shoulder Stud 2-4-6 Hd.
25	W-16702	Lever 8 Hd.
	W-15325	Lever 2-4-6- Hd.
26	W-16696	Cam Roll 8.Hd.
	W-15364	Cam Roll 2-4-6-Hd.

2, 3, 6, 8-HD. PNEUMACAPPER

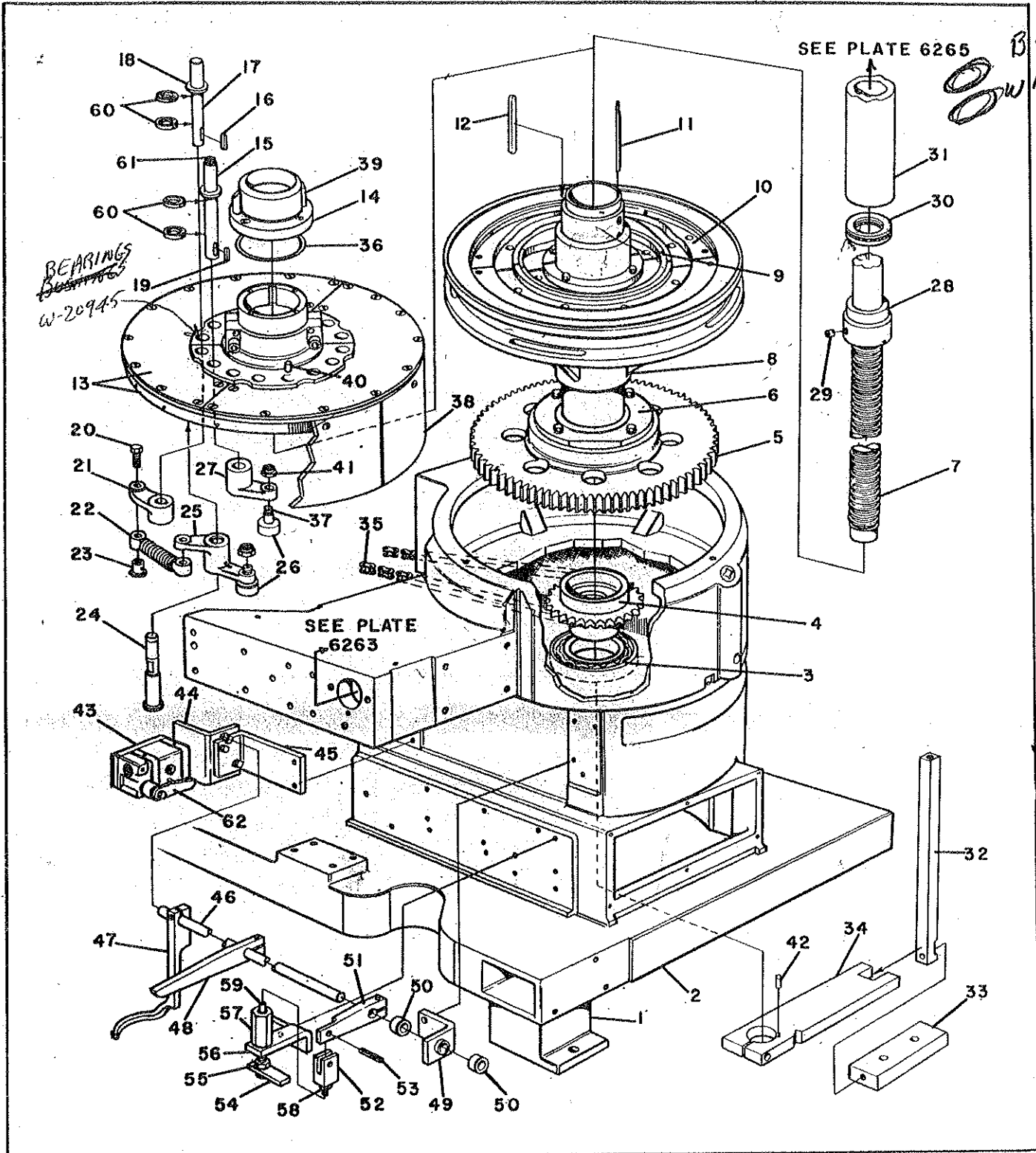
Rev. 4-22-68

CLASS #3338, 3339, 3340, 3341

VERTICAL DRIVES, SAFETY & CLAMPING TABLE

PLATE 6261 (Cont.)

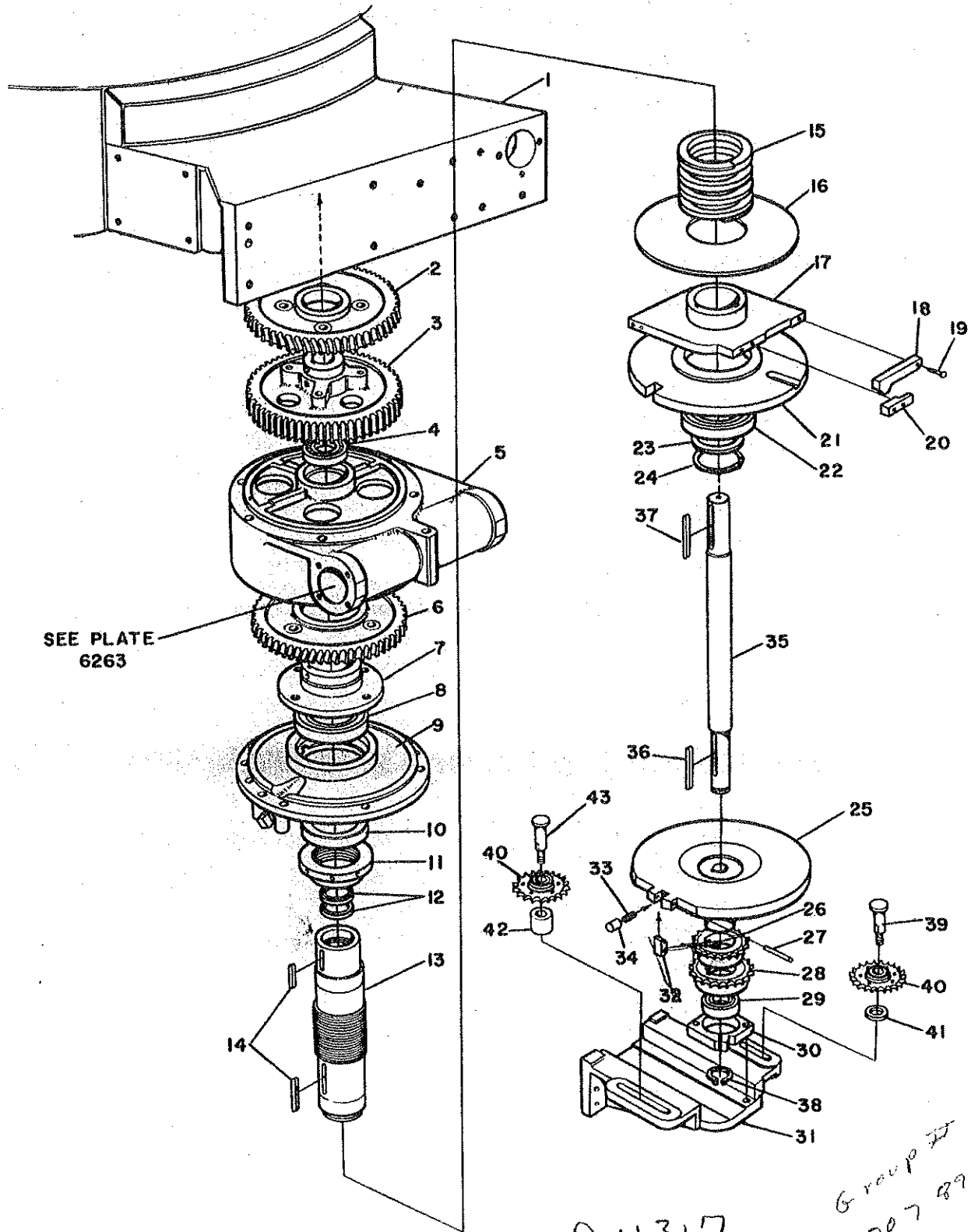
B 27  
W 1537



REV.	DATE	TITLE
		<b>VERTICAL DRIVES, SAFETY &amp; CLAMPING TABLE</b>
ISSUE DATE <b>FEBRUARY 26, 1965</b>		<b>PNEUMATIC SCALE CORPORATION</b> QUINCY, MASSACHUSETTS 02171
		PLATE NO. <b>6261</b>

<u>ITEM NO.</u>	<u>PART NO.</u>	<u>PART NAME</u>
1	203408	Gear Casing
2	203357	Worm Gear LH
3	203359	Gear
4	840417	Ball Bearing
5	203406	Worm Gear Housing
6	203358	Worm Gear RH
7	203356	Worm Gear Hub
8	840418	Ball Bearing
9	203405	Housing Cover
10	840414	Oil Seal
11	203352	Nut
12	W-15639	Oil Seal
13	203399	Worm Gear Shaft
14	25715	Key
15	840436	Spring
16	203350	Washer
17	203872	Pawl Carrier
18	203377	Pawl
19	W-14312	Stud
20	W-14329	Guide Block
21	203873	Driving Ring
22	840418	Ball Bearing
23	203355	Retaining Washer
24	840415	Snap Ring
25	203404	Driving Disc
26	203366	Sprocket 18T
27	W-13903	Pin
28	203367	Sprocket 20T 8Hd.
29	85343	Ball Bearing
30	203365	Bearing Block
31	203402	Drive Support Bracket
32	203360	Key
33	55237	Spring
34	W-13896	Plunger
35	203400	Shaft
36	84528	Key
37	24392	Key
38	840420	Snap Ring
39	203373	Idler Stud
40	203372	Idler Sprocket
41	10746	Washer
42	W-17976	Spacer
43	203374	Idler Stud

2,4,6,8-HD. PNEUMACAPPER  
CLASS #3338,3339,3340,3341  
SPIDER DRIVE  
PLATE 6262



REV.	DATE	TITLE

**SPIDER DRIVE**

ISSUE DATE February 26, 1965	PNEUMATIC SCALE CORPORATION, LIMITED QUINCY 71, MASSACHUSETTS	PLATE NO. 6262
---------------------------------	--	-------------------

<u>ITEM NO.</u>	<u>PART NO.</u>	<u>PART NAME</u>
44	59061	Pin
45	W-14115	Flange
46	W-14116	Spring
47	W-15370	Adjusting Nut
	W-7726	Plug
48	203398	Shaft - Intake
	203403	Shaft - Discharge
49	25715	Key

2,4,6,8-HD. PNEUMACAPPER  
 CLASS #3338,3339,3340,3341  
 HANDWHEEL MECHANISM  
 PLATE 6263 (Concluded)

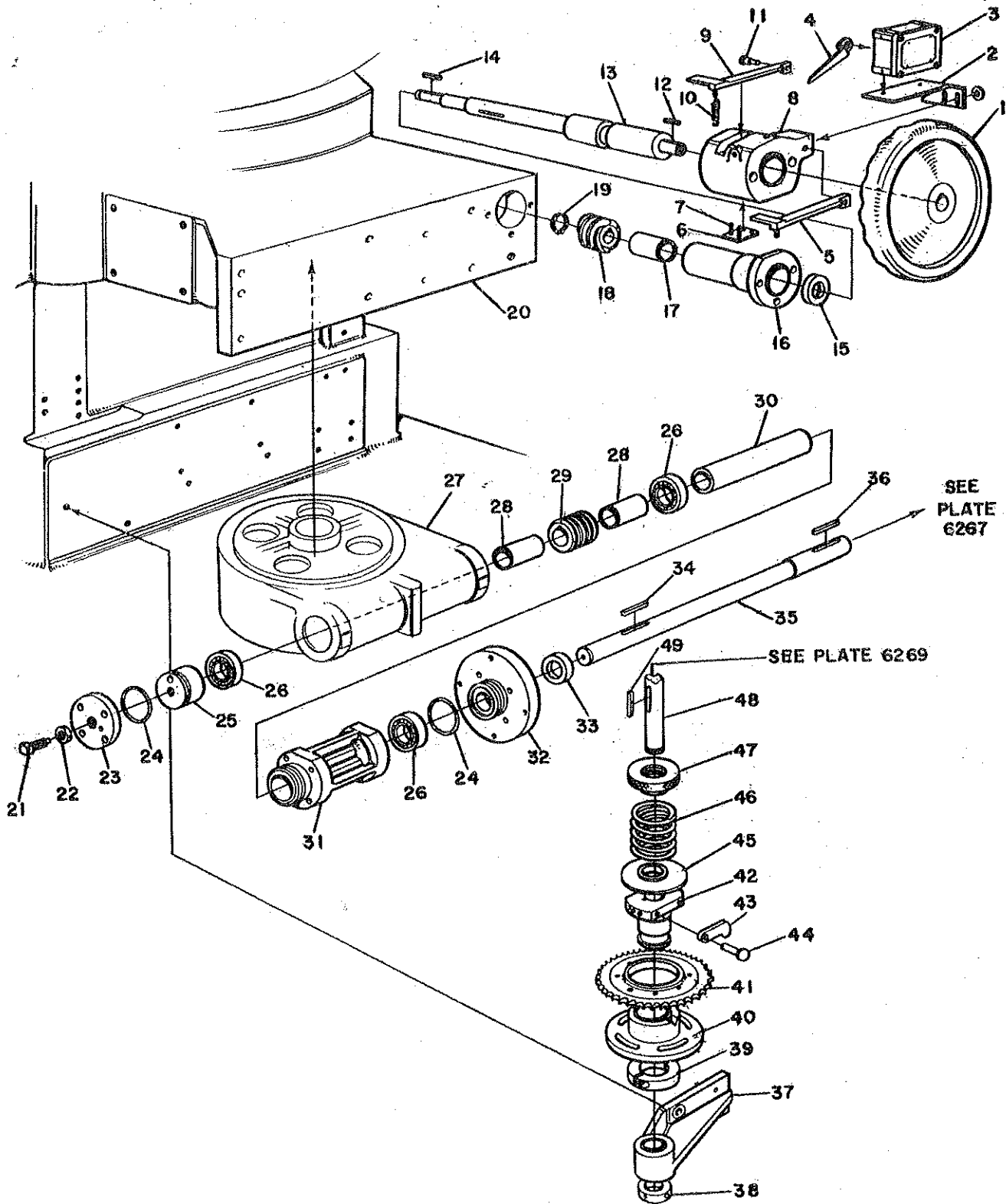
<u>ITEM NO.</u>	<u>PART NO.</u>	<u>PART NAME</u>
1	203345	Handwheel
2	203382	Switch Support
3	CM-3625	Micro-Switch Exp. Proof 460V. Max.
	W-17613	Micro-Switch Water Tight 460V. Max.
4	203381	Lever
5	203375	Pawl
6	203376	Spring Plate
7	201	Spring Stud
8	203394	Housing
9	203348	Pawl
10	BL-1643	Spring
11	BL-3213	Stud
12	20995	Key
13	203395	Shaft
14	20509	Key
15	840419	Oil Seal
16	203347	Housing
17	203346	Spacer
18	203344	Worm LH
19	840421	Snap Ring
20	203408	Gear Case
21	W-1991	Screw
22	1762	Nut
23	W-18012	Cap
24	W-15729	O-Ring
25	W-18013	Plug
26	W-12419	Ball Bearing
27	203406	Worm Gear Housing
28	W-18014	Spacer
29	W-15478	Worm RH
30	W-15453	Spacer
31	W-15726	Bearing Housing
32	W-19539	Cap 4, 6, & 8 Hd.
33	W-15733	Seal
34	25734	Key
35	W-20607	Shaft 4, 6, & 8 Hd.
36	1213	Key 4, 6, & 8 Hd.
37	203396	Bracket
38	3950	Collar
39	W-15372	Collar
40	204018	Drive Flange
	204020	Drive Flange Disch. 8 Hd.
41	W-20894	Sprocket 36T
42	W-15371	Pawl Carrier
43	W-12975	Pawl

2, 4, 6, 8-HD. PNEUMACAPPER

CLASS #3338, 3339, 3340, 3341

HANDWHEEL MECHANISM

PLATE 6263 (Continued)



REV.	DATE	TITLE
		<b>SYNCHRO-DRIVE, HANDWHEEL-INTAKE SPIDER SHAFT</b>
ISSUE DATE		PNEUMATIC SCALE CORPORATION, LIMITED QUINCY 71, MASSACHUSETTS
February 26, 1965		
		PLATE NO.
		6263

<u>ITEM NO.</u>	<u>PART NO.</u>	<u>PART NAME</u>
<u>INTAKE SPIDER 2, 4, 6, 8 HD. PNEUMACAPPER</u>		
1	W-14115	Spring Flange
2	W-20894	Sprocket 36T
3	204018	Drive Flange
4	203366	Sprocket 18T

<u>INTAKE SPIDER - 8HD. CAPPER - 7 POCKET INTAKE</u>		
1	203869	Spring Flange
2	204179	Sprocket 35T
3	204180	Drive Flange
4	203367	Sprocket 20T

<u>DISCHARGE SPIDER - STD. DISCHARGE</u>		
5	203366	Sprocket 18T
6	W-14115	Spring Flange
7	876314	5/16 Flat Washer
8	W-20894	Sprocket 36T
9	204018	Drive Flange

<u>4HD. PNEUMACAP - 3 POCKET DISCHARGE (HI-SPEED)</u>		
5	203367	Sprocket 20T
6	203869	Spring Flange
7	4665	Washer
8	203368	Sprocket 30T
9	204019	Drive Flange

<u>6 HD. PNEUMACAP - 5 POCKET DISCHARGE (HI-SPEED)</u>		
5	203366	Sprocket 18T
6	203869	Spring Flange
7	4665	Washer
8	203368	Sprocket 30T
9	204019	Drive Flange

<u>8 HD. PNEUMACAP - 6 POCKET DISCHARGE (HI-SPEED)</u>		
5	203367	Sprocket 20T
6	W-14115	Spring Flange
7	4665	Washer
8	203368	Sprocket 30T
9	204020	Drive Flange

<u>8 HD. PNEUMACAP - 7 POCKET DISCHARGE</u>		
5	203367	Sprocket 20T
6	203869	Spring Flange
7	876314	5/16 Flat Washer
8	204179	Sprocket 35T
9	204180	Drive Flange

2, 4, 6, 8-HD. PNEUMACAPPER  
 CLASS #3338, 3339, 3340, 3341  
 SPIDER DRIVES  
 PLATE 6263-A

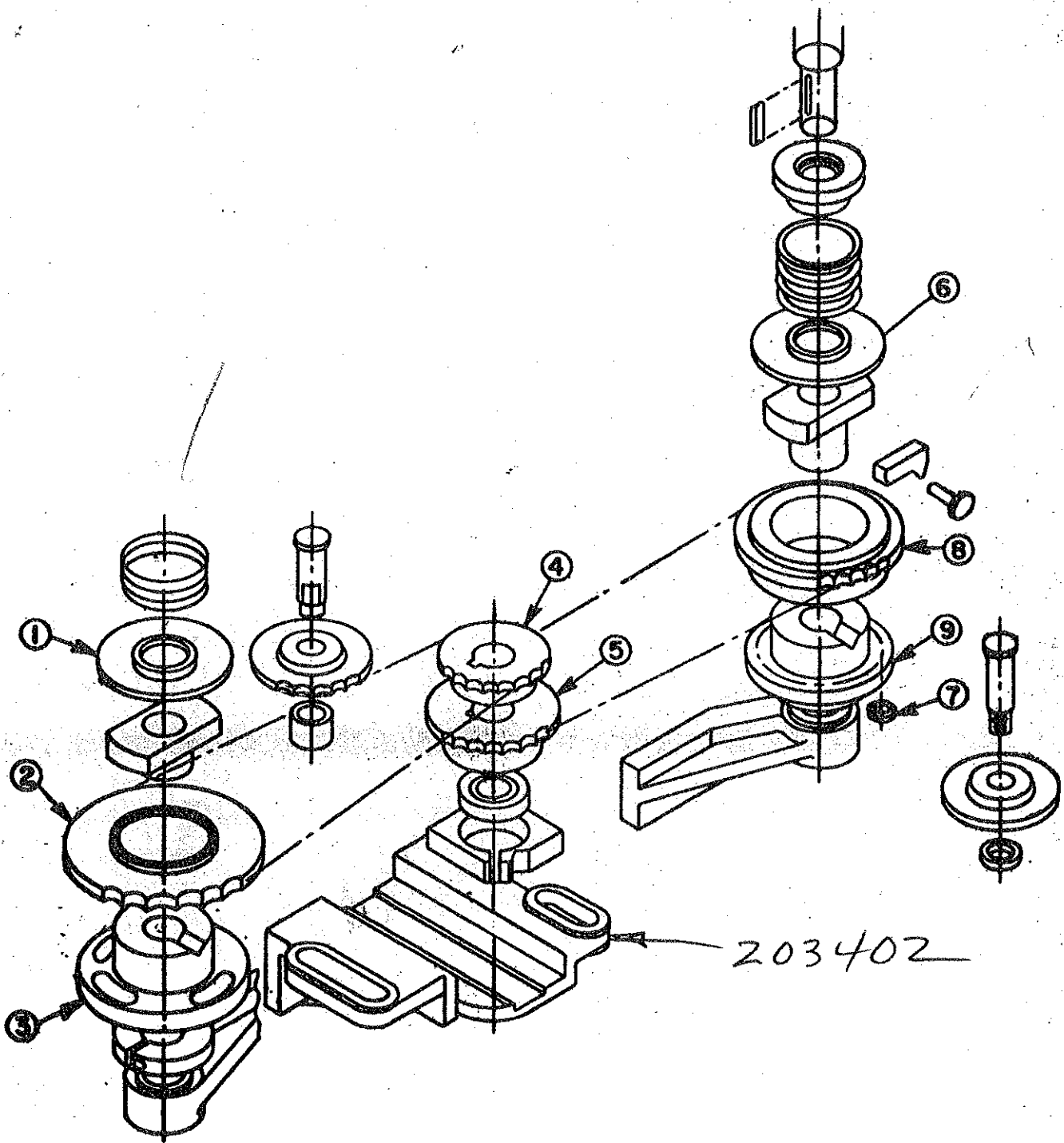
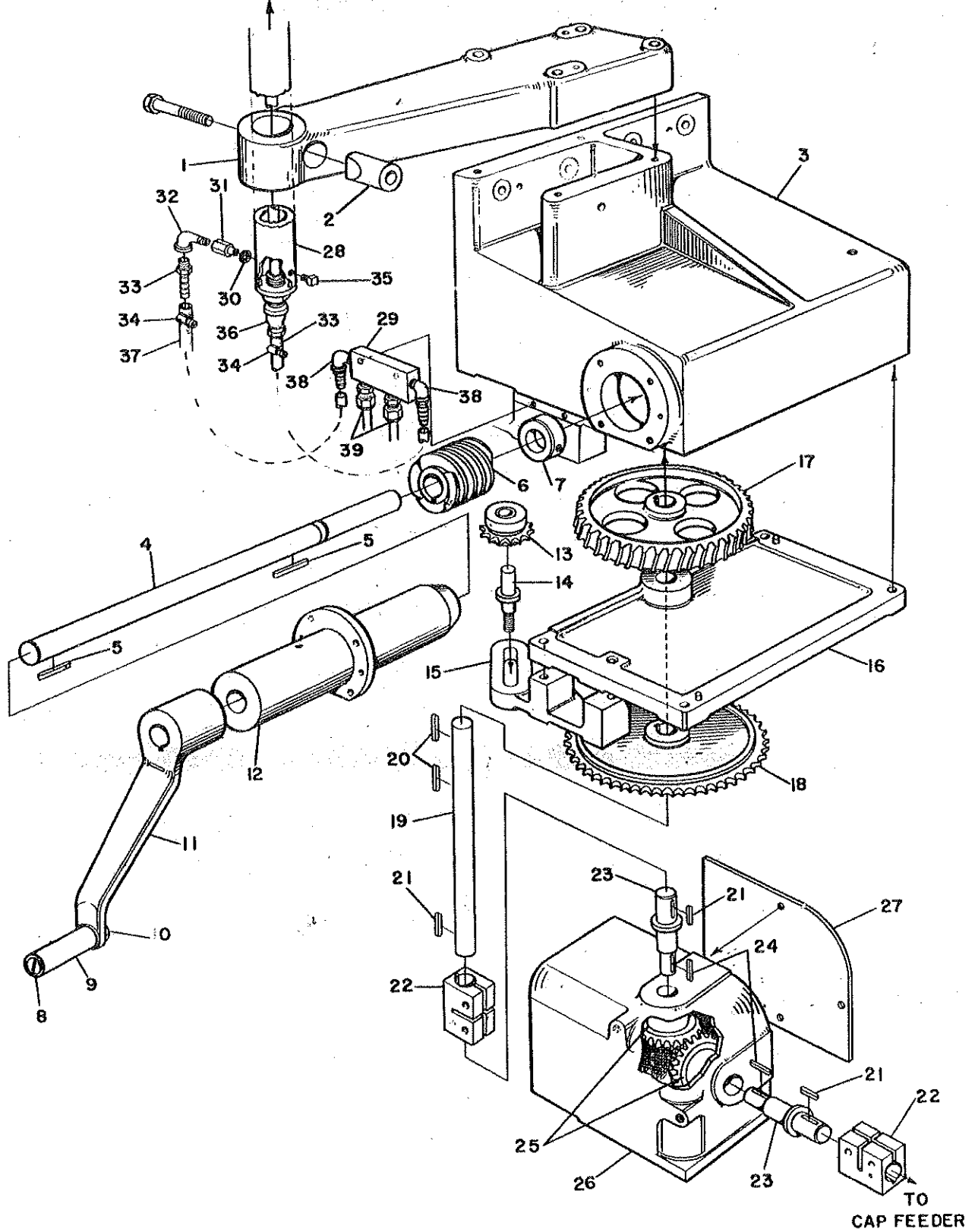


PLATE 6263-A

<u>ITEM NO.</u>	<u>PART NO.</u>	<u>PART NAME</u>
1	W-15552	Chute Column Support 8HD.
	W-17001	Chute Column Support 2,4&6Hd.
2	W-15389	Clamping Plug
3	W-16069	Worm Gear Housing
4	W-16055	Shaft
5	24392	Key
6	W-17685	Worm
7	3950	Collar
8	39026	Stud
9	39124	Handle
10	7516	Nut
11	W-8865	Crank
12	W-16066	Bearing
13	DW-498	Sprocket
14	W-13718	Stud
15	W-16052	Idler Bracket
16	W-16068	Gear Box Cover
17	W-15339	Worm Wheel
18	W-16054	Sprocket
19	W-16053	Shaft
20	18616	Key
21	11514	Key
22	W-16060	Coupling
23	W-16059	Shaft
24	21578	Key
25	64103	Mitre Gear
26	W-16063	Gear Housing
27	W-16062	Housing Cover
28	203464	Column
29	203362	Connecting Block
30	W-17048	Seal
31	W-17049	Adapter
32	870129	1/4 Ell
33	W-2371	Nipple
34	871074	3/8" Hose Cup
35	871334	1/4" Pipe Plug
36	Comm.	Reducer Union 1/2" to 1/4"
37	840140	3/8 Hose
38	840129	1/4 IPS Ell
39	W-15673	Male Adapter

2,4,6,8-HD. PNEUMACAPPER  
CLASS #3338,3339,3340,3341  
ELEVATING MECHANISM  
PLATE 6264

SEE PLATE 6266



REV.	DATE	TITLE
ISSUE DATE		PNEUMATIC SCALE CORPORATION, LIMITED QUINCY 71, MASSACHUSETTS
February 26, 1965		
		PLATE NO
		6264

<u>ITEM NO.</u>	<u>PART NO.</u>	<u>PART NAME</u>
76	W-33	Thrust Bearing
77	203436	Trip Lever
78	88862	Retaining Ring
79	TB-3329	Cam Roll
80	TB-3328	Shoulder Screw
81	203471	Lever Block
82	TC-671	Pin
83	39103	Stud
84	840560	Spring
85	W-15626 IN CAM DISC.	Screw
DISC. <del>86</del>	<del>203371</del>	<del>Spacer</del>
DISC. <del>87</del>	<del>840426</del>	<del>Retaining Ring</del>
88	W-15641	Pipe
	3157	Grease Fitting
89	203455	Spacing Post 4, 8 Hd.
	203461	Spacing Post
	203854	Spacing Post 2 Hd.
	203855	Spacing Post 2 Hd.
90	26806	KEY

2,4,6,8-HD. PNEUMACAPPER  
CLASS #3338,3339,3340,3341  
TURRET  
PLATE 6265 (Concluded)

<u>ITEM NO.</u>	<u>PART NO.</u>	<u>PART NAME</u>
42	203427	Stop Pin
43	840432	O-Ring
44	840423	Ball Bearing
	840422	Retaining Ring
45	203486	Spindle Pinion
46	86198	Ball Bearing
47	203422	Bearing Retainer 2, 4, 8 Hd.
	203857	Bearing Retainer 6 Hd.
48	203487	Chuck Spindle
49	203451	Operating Link
50	203423	Yoke Pin
	3157	Grease Fitting
51	203424	Yoke Pin
52	203450	Yoke
53	840438	Split Bushing
54	203463	Clamp Ring
55	W-18470	Transfer Arm 8 Hd.
	203824	Transfer Arm 2, 4, 6 Hd.
56	18953	Key
57	W-17371	Retaining Ring
<del>58</del>	<del>W-1523</del>	<del>Nut DISCARDED</del>
59	840416	Ball Bearing CAM ROLL
60	203438	Latch Stud
61	203474	Cam Roll Lever
	<del>203524</del>	<del>Stop DISCARDED</del>
<del>62</del>	<del>203473</del>	<del>Bushing Plate DISCARDED</del>
<del>63</del>	<del>203441</del>	<del>Sleeve</del>
64	203458	Roll Holder
65	840416	Cam Roll
66	89963	Retaining Ring
67	<del>203475</del>	<del>Guide</del>
	<del>203476</del>	<del>Nut DISCARDED</del>
68	88862	Retaining Ring
69	840440	Rod End
70	203443	Spring Stud 8 Hd.
	204294	Spring Stud 2, 4, 6 Hd.
71	203459	Shaft 8 Hd.
	204295	Shaft 2, 4, 6 Hd.
72	18953	Key
73	203472	Connecting Lever
74	203460	Transfer Arm Shaft
75	203445	Bearing Collar
	W-18495	Pin

CHECK LIST

206209 STOP STUD  
206208

206206 BUSHING CLAMP RING

204629

204628

204627

204625-BRACKET

203444

204624

206324

2, 4, 6, 8-HD. PNEUMACAPPER  
CLASS #3338, 3339, 3340, 3341

TURRET  
PLATE 6265 (Continued)

NEW 13 SEE 62657A

ITEM NO.	PART NO.	PART NAME
1	W-8827	Key
2	203447	Drive Tube
3	35754	Key
4	203497	Center Post
5	203413	Step Key
6	53966	Key
7	W-15386	Air Seal
8	203412	Disc
9	203500	Lower Spindle Support 8 Hd.
	203830	Lower Spindle Support 6Hd.
	203841	Lower Spindle Support 2-4Hd.
10	<del>203462</del> 206201	Spacing Post
11	203430	Angle
12	Comm. 876272	1" - 14 Jam Nut
13	203428	Pin
14	<del>203452</del> 205327 - LEVER ARM 206200	<del>Cam Lever</del>
15	203425	Cam Roll Stud
16	840424	Ball Bearing
17	W-19725	Lockwasher
18	W-19724	Lock Nut
19	203429	Shoulder Stud
20	13053	Nut
21	<del>203467</del>	Spindle Lift Cam
22	203448	Cam Disc
23	203433	Gear
24	202262	Gear
25	W-19762	Gear
26	W-19773	Gear
27	W-19779	Gear
28	W-21928	Gear 31T
29	W-21929	Gear 36T
30	W-19768	Gear 42T
31	203421	Shaft
32	W-21931	Sleeve
33	<del>203433</del> 211565	Bracket
34	OK <del>W-15613</del> <del>203433</del>	Key
35	840444	Rotary Air Joint
36	W-21706	Half Union
37	79371	Elbow Conn.
38	W-15798	O-Ring
39	CHECK LIST 203364 206207 (NEW)	Inner Air Pipe
40	<del>203435</del> 204944 + 5 (60517)	Clamp
41	203449 204948	Bearing Clamp Ring

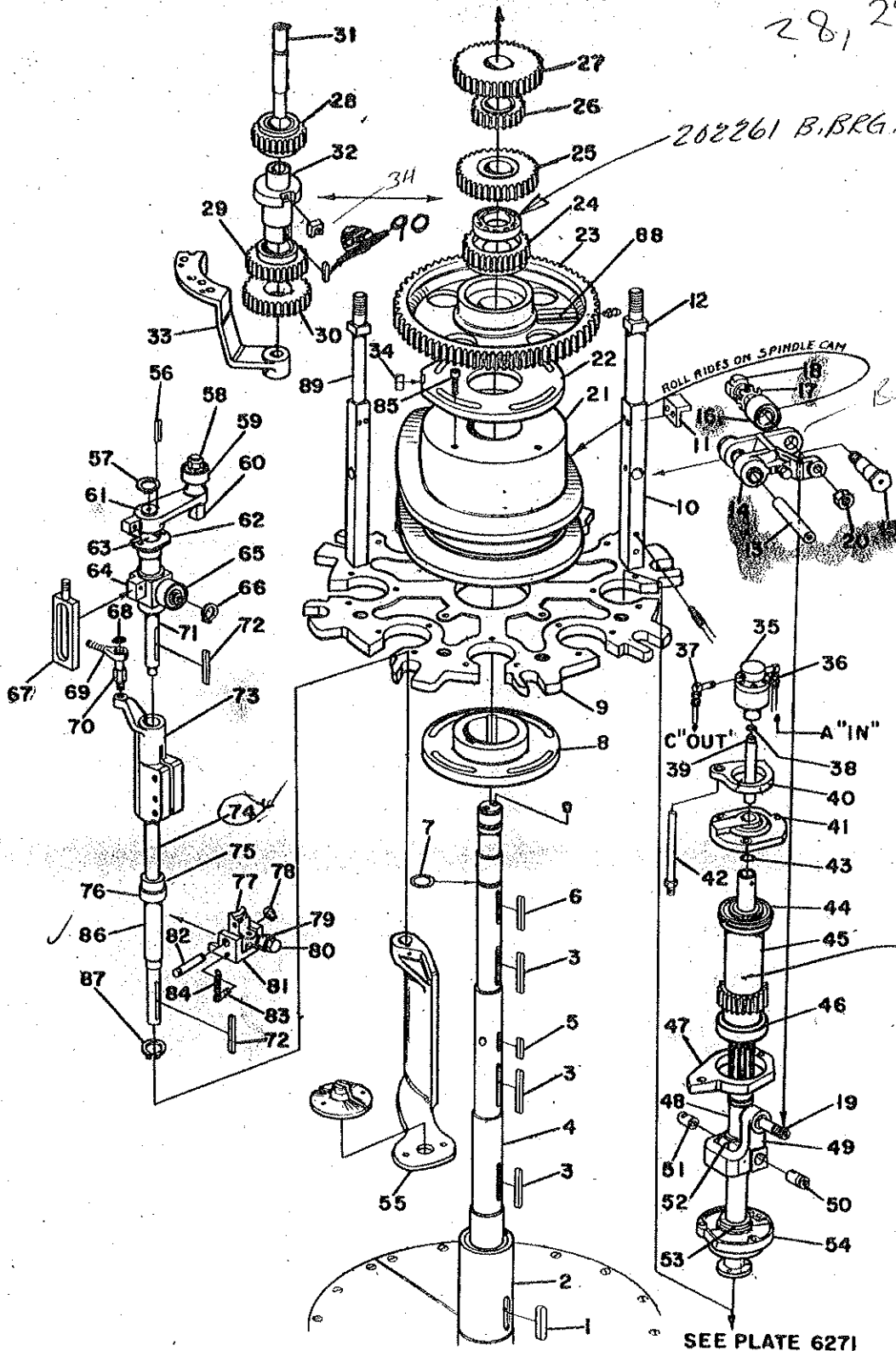
04509 - 1/16" INT. DR.  
 04642 - 7/8" INT. DR.  
 04810 - 1" INT. DR.  
 04811 - 1 1/8" INT. DR.  
 04812 - 1 1/4" INT. DR.  
 04813 - 1 5/8" INT. DR.

This Gear Arrangement is for 2, 3, 4 Turns  
 See Charts for Other Arrangements

2, 4, 6, 8-HD. PNEUMACAPPER  
 CLASS #3338, 3339, 3340, 3341  
 TURRET  
 PLATE 6265 (Continued)

SEE PLATE 6266

28, 29, 30,  
31,  
202261 B.BRG. 32



ROLL RIDES ON SPINDLE CAM  
2 EV-503

SEE PLATE 6271

REV.	DATE	TITLE
		<b>TURRET &amp; CAPPING CHUCK DRIVE</b>
ISSUE DATE February 26, 1965		PNEUMATIC SCALE CORPORATION, LIMITED QUINCY 71, MASSACHUSETTS
		PLATE NO. <b>6265</b>

SEE PLATE 6265 A FOR LATER VERSION.

<u>ITEM NO.</u>	<u>PART NO.</u>	<u>PART NAME</u>
38	204948	Bearing Clamp Ring
39	840432	O-Ring
40	840423	Ball Bearing
41	840422	Retaining Ring
42	203486	Spindle Pinion
43	86198	Ball Bearing
44	203422	Bearing Retainer 2-4-8Hd.
	203857	Bearing Retainer 6-Hd.
45	203429	Shoulder Stud
46	203451	Oper. Link
47	203423	Yoke Pin
	3157	Grease Fitting
48	840438	Split Bushing
49	203463	<i>206206 NEW BUSHING</i> Clamp Ring
50	203424	Yoke Pin
51	203450	Yoke

PLATE 6265-A

TURRET & CAPPING CHUCK DRIVE (Concluded)

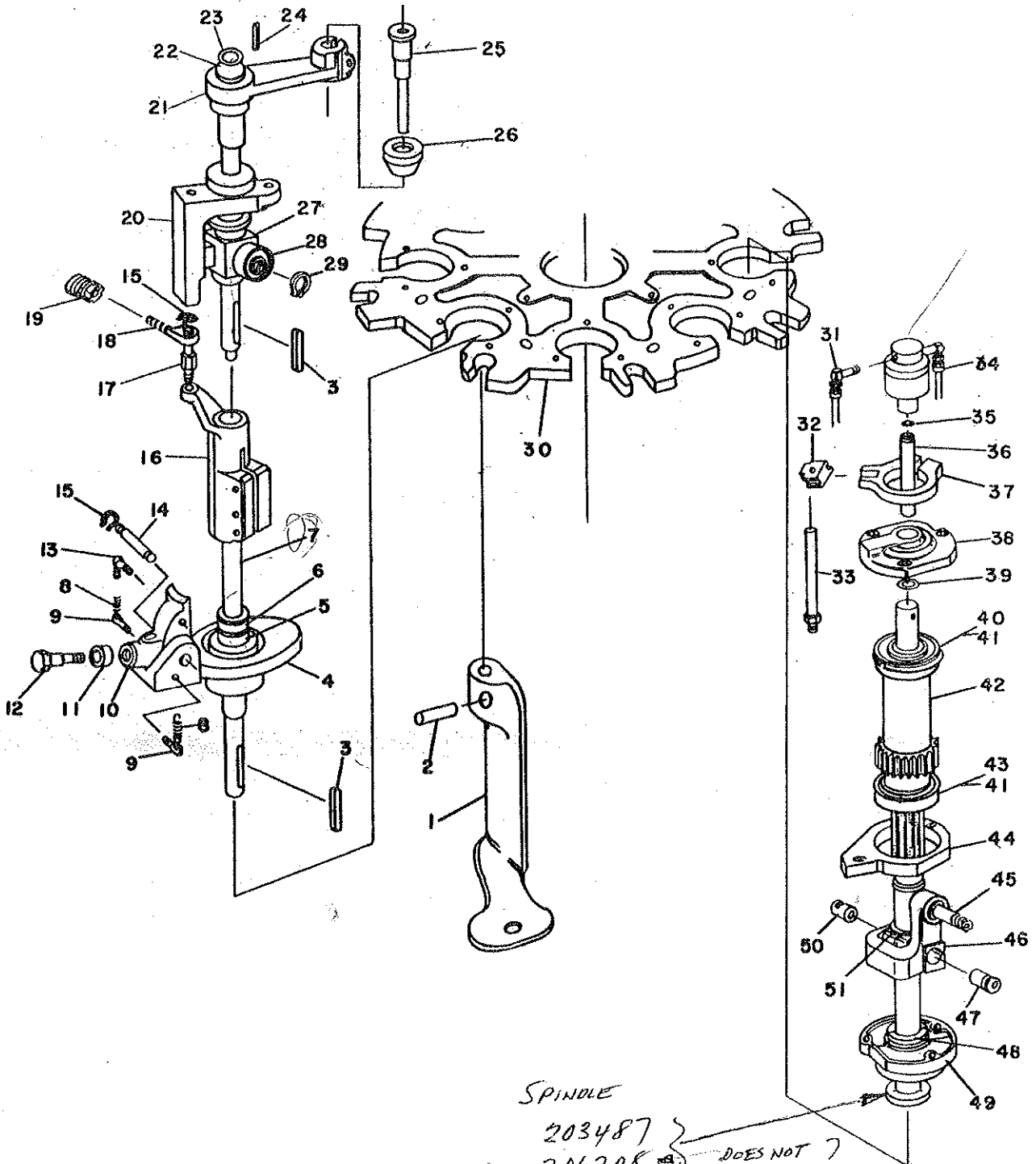
CLASS 3338 - 3345

Rev. 3-14-68

<u>ITEM NO.</u>	<u>PART NO.</u>	<u>PART NAME</u>
1	203818	Transfer Arm -8 Hd.
	203824	Transfer Arm-2-4 & 6 Hd.
2	203817	Clamp Plug
3	18953	Key
4	203471	Lever Block (Gr.)
5	W-33	Thrust Bearing
6	203445	Thrust Bearing Collar
	W-18945	Pin
7	204622	Trans. Arm Shaft
8	840560	Spring
9	39103	Stud
10	203436	Trip Lever
11	TB-3329	Cam Roll
12	TB-3328	Cam Roll Sh. Screw
13	5514	Spring Stud
14	TC-671	Pin
15	88862	Retaining Ring
16	203472	Conn. Lever
17	203444	Spring Stud
18	840440	Rod End
	204620	Nut
19	203442	Spring
20	204625	Support Bracket
21	204627	Lever
22	204623	Trans. Arm Shaft 2-4-6Hd.
	204624	Trans. Arm Shaft 8-Hd.
23	W-17371	Retaining Ring
24	15533	Key
25	204628	Latch Stud
26	204629	Cam Roll
27	203458	Cam Roll Holder
28	840416	Cam Roll (Ball Bearing)
29	88963 89963	Retaining Ring
30	203500	Lower Spindle Support 8-Hd.
	203830	Lower Spindle Supp. 6-Hd.
	203841	Lower Spindle Supp. 2-4Hd.
31	79371	Elbow Conn.
32	204945	Clamp Bushing
33	204946 206209 NEW	Stop Pin
34	W-21706	Half Union
35	W-15798	O-Ring
36	203364 206207 NEW	Inner Air Pipe
37	204944	Clamp

PLATE 6265-A  
TURRET & CAPPING CHUCK DRIVE (Cont.)  
CLASS 3338 - 3345

Rev. 3-14-68



REV.	DATE	TITLE
3-14-68		<b>TURRET &amp; CAPPING CHUCK DRIVE</b>
ISSUE DATE FEBRUARY 26, 1965		<b>PNEUMATIC SCALE CORPORATION</b> QUINCY, MASSACHUSETTS 02171
		PLATE NO. <b>6265 A</b>

<u>ITEM NO.</u>	<u>PART NO.</u>	<u>PART NAME</u>
65	203419	Support Bar 8 Hd.
66	203420	Clamp Block 8 Hd.
67	203437	Reset Cam
68	W-18764	4-Way Solenoid Valve 115V Water Tight
	W-18941	4-Way Solenoid Valve 230V Water Tight
	W-18943	4-Way Solenoid Valve 460V Water Tight
	W-18485	4-Way Solenoid Valve 115V Exp. Proof
	W-18492	4-Way Solenoid Valve 230V Exp. Proof
	W-18944	4-Way Solenoid Valve 460V Exp. Proof
69	W-21707	Male Elbow
70	W-21706	Half Union
71	203478	Cam Support
72	203477	Cam Support
73	870038	Reducer Bushing 1/4" to 1/8"

2,4,6,8-HD. PNEUMACAPPER  
CLASS #3338,3339,3340,3341  
TURRET & NO-BOTTLE, NO-CAP SAFETY  
PLATE 6266 (Concluded)

<u>ITEM NO.</u>	<u>PART NO.</u>	<u>PART NAME</u>
29	203489	Male Thread Socket
30	203499	Upper Spindle Support 8Hd.
	203823	Upper Spindle Support 6Hd.
	203828	Upper Spindle Support 2, 4Hd.
31	Comm. 876272	1"-14 Jam Nut
32	203455 206201	Spacing Post 4, 8Hd.
	203461	Spacing Post
	203854	Spacing Post 2 Hd.
	203855	Spacing Post 2 Hd.
	203462	Spacing Post
33	W-13078	Lubrication Block
34	203442	Spring
35	203443	Spring Stud 8 Hd.
	204294	Spring Stud 2, 4, 6 Hd.
36	203416	Stop Block
37	81647	Fitting
38	203434	Nipple
39	59757	Elbow Connector
40	203804	Clip
41	203491	Valve Block
42	<del>840430</del> 840472 N.O.	Cam Valve
43	79371 84079 S.N.C.	Elbow Conn.
44	W-21706	Half Union
45	59757	Elbow
46	840451	Hose
47	56832	Comp. Fitting
48	Comm.	Red. Bush. 1/2 to 1/4NPT
49	W-16690	Cover
50	W-15961	O-Ring
51	W-16703	Elbow
52	203464	Column
53	203363	Conduit
54	W-18506	Air Cylinder
55	W-18499	Plate
56	W-9152	Nut
57	W-18505	Bumper
58	W-18504	Nut
59	W-18503	Bumper
60	W-18502	Slide Guide
61	W-18519	Safety Housing
62	203528	Spacer
63	203457	Safety Bracket 8 Hd.
64	203418	Roller Guide

2, 4, 6, 8-HD. PNEUMACAPPER  
CLASS #3338, 3339, 3340, 3341  
TURRET & NO-BOTTLE, NO-CAP SAFETY  
PLATE 6266 (Cont.)

<u>ITEM NO.</u>	<u>PART NO.</u>	<u>PART NAME</u>
1	203440	Cover
2	CV-5636	O-Ring
3	203492	Adapter Elbow
4	W-15386	Air Seal
5	203439	Support Tube 8 Hd.
	W-15393	Support Tube 2, 4, 6Hd.
6	203502	Cam Support
7	203501	Transfer Arm Cam 8 Hd.
	203846	Transfer Arm Cam 2, 4, 6Hd.
8	203503	Transfer Arm Drop Cam
9	203507	Lift Cam
10	203495	Drop Cam
11	203485	Cam Extension
12	203496	Transfer Arm Rise Cam
13	203484	Cam Extension
14	203479	Block 8 Hd.
	203480	Block 8 Hd.
	203850	Block 2, 4, 6 Hd.
	203847	Block 2, 4, 6 Hd.
15	203481	Block 8 Hd.
	203482	Support Block 8 Hd.
	203483	Block 8 Hd.
	203848	Block 2, 4, 6 Hd.
	203851	Block 2, 4, 6 Hd.
	203852	Block 2, 4, 6 Hd.
16	203498	Cam Disc
17	203494	Cap Grip Cam
18	203493	Chuck Drive Cam
19	203456	Flange Bushing
<del>20</del>	<del>840834</del>	Sealing Ring
21	203426	Spacing Ring
<del>22</del>	<del>203432</del>	Washer
23	W-15729	O-Ring
24	<del>203536</del>	Air Seal Sleeve
25	<del>203535</del>	Air Seal Sleeve 8 Hd.
	203853	Air Seal Sleeve 2, 4 Hd.
	203856	Air Seal Sleeve 6 Hd.
26	203465	Valve Block Support 8 Hd.
	203814	Valve Block Support 6 Hd.
	203816	Valve Block Support 2, 4 Hd.
	840427	Filter Strip
27	203431	Shoulder Stud
28	203488	Male Thread Plug

CHECK  
LIST

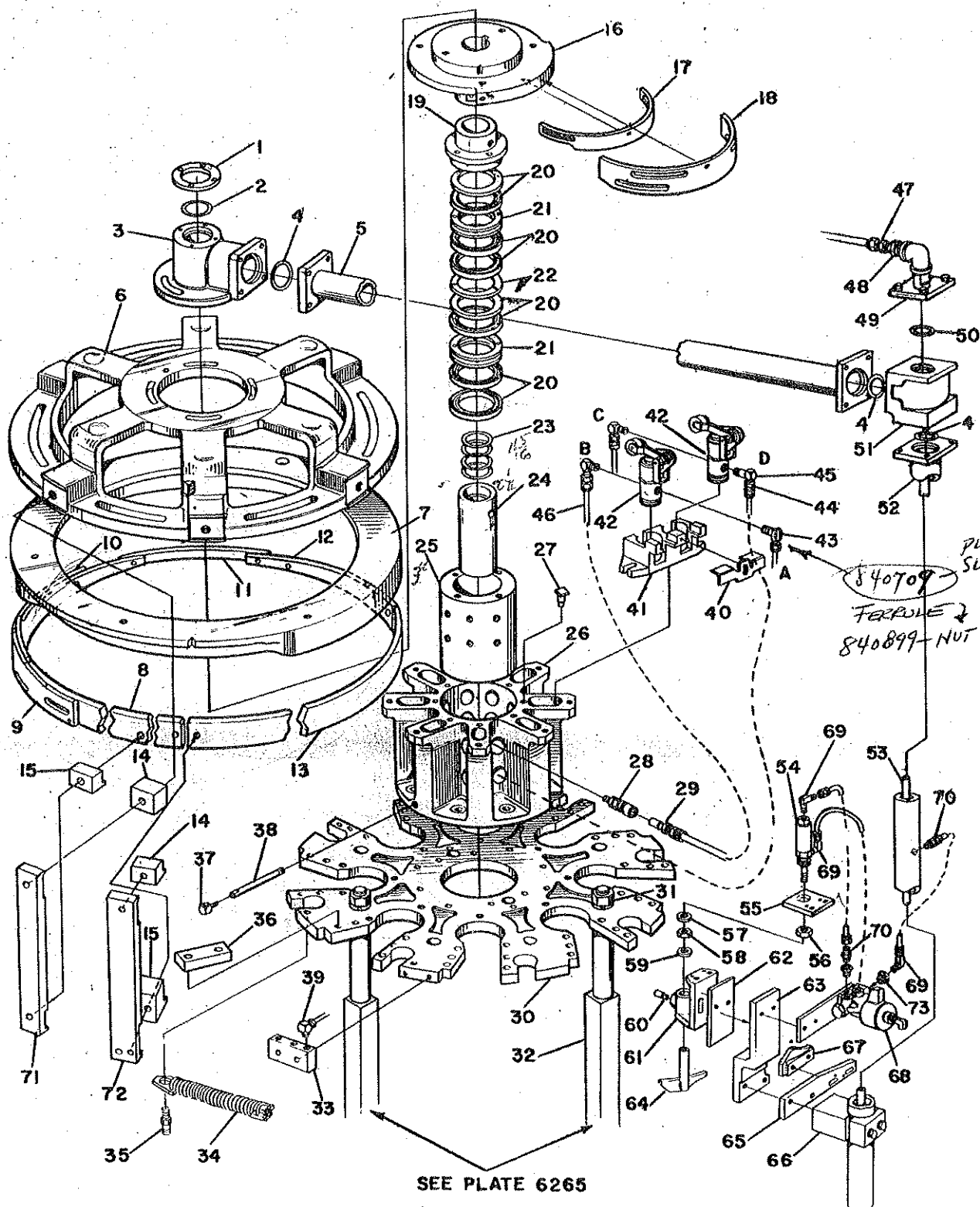
840425 D.C.

2, 4, 6, 8-HD. PNEUMACAPPER

CLASS #3338, 3339, 3340, 3341

TURRET & NO-BOTTLE, NO-CAP SAFETY

PLATE 6266 (Continued)



REV.	DATE	TITLE
ISSUE DATE February 26, 1965		PNEUMATIC SCALE CORPORATION, LIMITED QUINCY 71, MASSACHUSETTS
		PLATE NO. 6266

SEE PLATES 6266A + B FOR LATER VERSIONS.

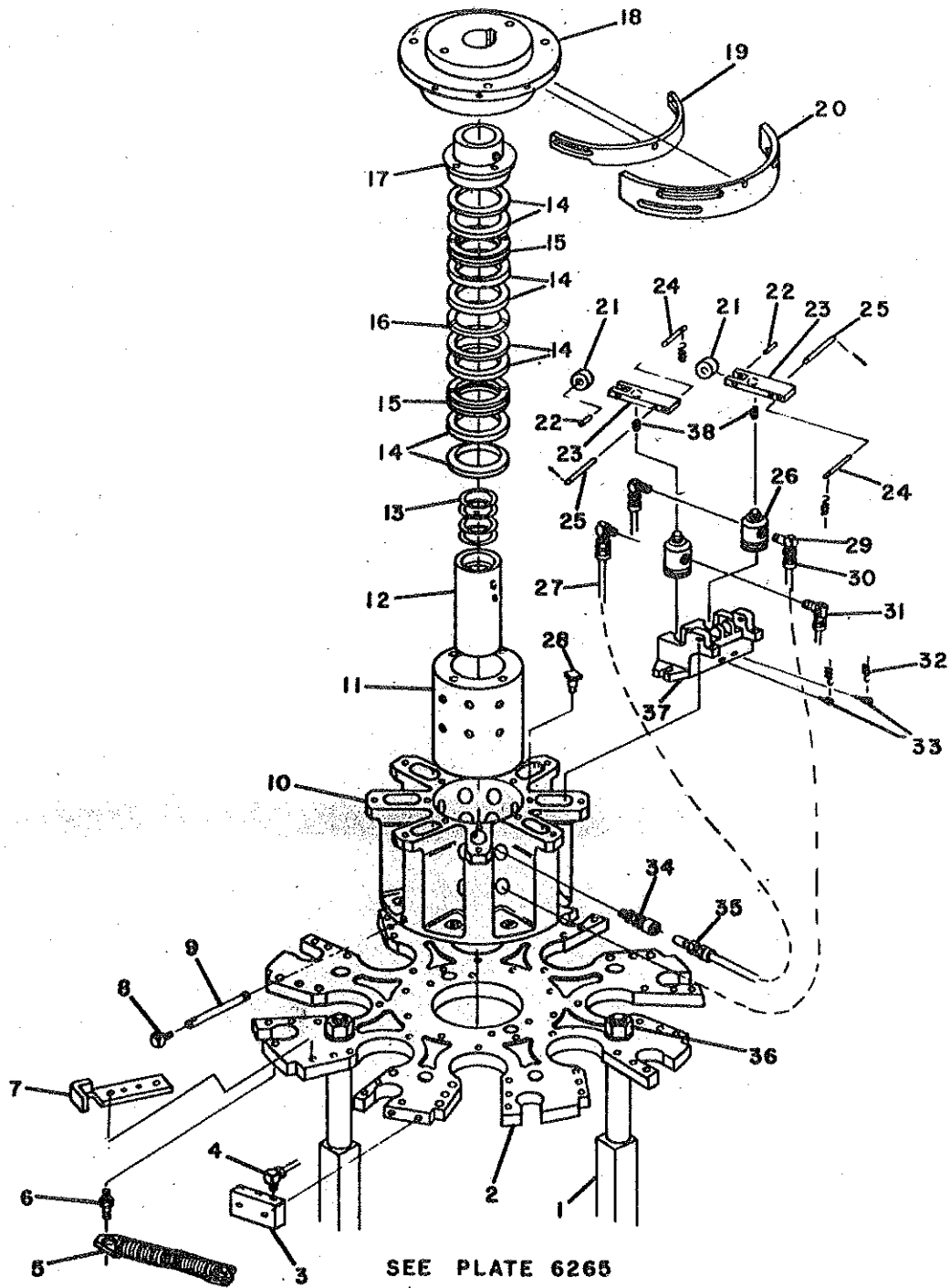
<u>ITEM NO.</u>	<u>PART NO.</u>	<u>PART NAME</u>
33	39103	Spring Stud
34	203488	Male Thread Plug
35	203489	Male Thread Socket
36	Comm.	1" - 14 Jam Nut
37	204649	Valve Block
38	840546	Spring

Rev. 3-14-68

PLATE 6266-A  
TURRET & NO-BOTTLE NO-CAP SAFETY (Concluded)  
CLASS 3338 - 3345

<u>ITEM NO.</u>	<u>PART NO.</u>	<u>PART NAME</u>
1	203455 <sup>206201</sup>	Spacing Post 4-8Hd.
	203855	Spacing Post 2-Hd.
	203462	Spacing Post <sup>6 Hd.?</sup>
2	203499	Upper Spindle Supp. 8Hd.
	203823	Upper Spindle Supp. 6Hd.
	203828	Upper Spindle Supp. 2-4Hd.
3	W-13078	Lubrication Block
4	59757	Elbow Connector
5	203442	Spring
6	204808	Spring Stud 8Hd.
	204294	Spring Stud 2-4-6 Hd.
7	204630	Stop Block
8	81647	Fitting
9	203434	Nipple
10	203465	Valve Block Supp. 8Hd.
	203814	Valve Block Supp. 6 Hd.
	203816	Valve Block Supp. 2-4 Hd.
11	203535	Air Seal Sleeve 8 Hd.
	203853	Air Seal Sleeve 2-4 Hd.
	203856	Air Seal Sleeve 6 Hd.
12	203536	Air Seal Sleeve
13	W-15729	O-Rings
14	840425	Sealing Ring
15	203426	Spacing Ring
16	203432	Washer
17	203456	Flange Bushing
18	203498	Cam Disc
	204775	Cam Disc(For Plugger)
19	204651	Cap Grip Cam
20	204650	Chuck Drive Cam
	204777	Chuck Drive Cam(For Plugger)
21	68945	Ball Bearing
22	204646	Roll Pin
23	204647	Operating Arm
24	204648	Spring Stud
25	204645	Pivot Pin
26	> 840472	Cam Valve
27	840451	Hose
28	203431	Shoulder Stud
29	59757	Elbow
30	W-21706	Half Union
31	79371	Elbow Conn.
32	33515	Spring

PLATE 6266-A  
TURRET & NO-BOTTLE NO-CAP SAFETY (Cont.)  
CLASS 3338 - 3345



REV.	DATE	TITLE
3-14-68		<b>TURRET &amp; NO-BOTTLE NO-CAP SAFETY</b>
ISSUE DATE FEBRUARY 26, 1965		<b>PNEUMATIC SCALE CORPORATION</b> QUINCY, MASSACHUSETTS 02171
		PLATE NO. <b>6266 A</b>

<u>ITEM NO.</u>	<u>PART NO.</u>	<u>PART NAME</u>
32	204636	Cam Support Block RH
33	204637	Cam Support Block LH
34	204640	Cam Extension
35	204639	Trans. Arm Rise Cam
36	204641	Cam Extension
37	203502	Cam Support
38	203501	Trans. Arm Cam 8 Hd.
	203846	Trans. Arm Cam 2-4-6 Hd.
39	204638	Trans. Arm Cam
40	204634	Cam Support
41	203850	Support Block (Top)
42	204635	Cam Support Block

Rev. 3-14-68

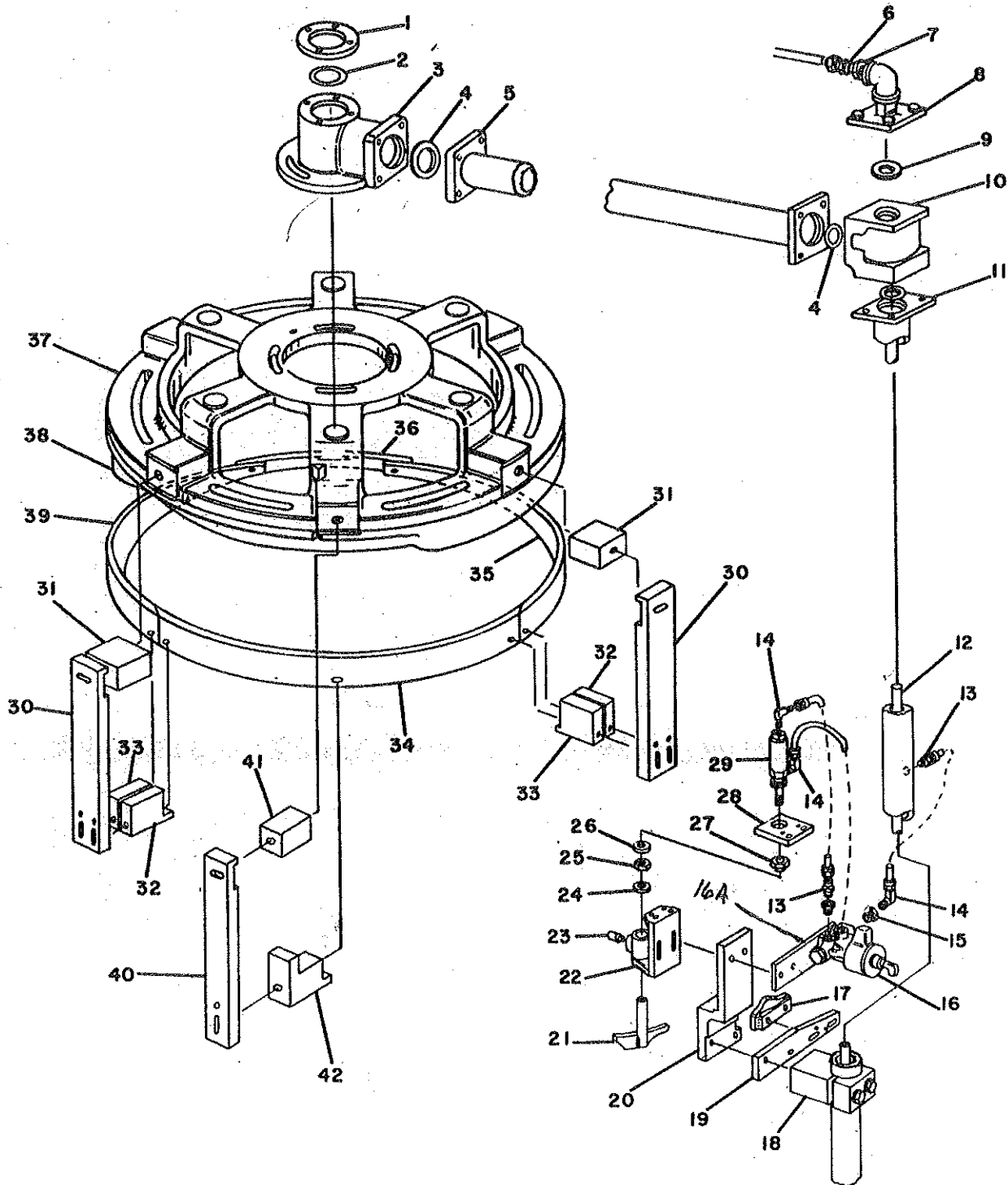
PLATE 6266-B  
TURRET & NO-BOTTLE NO-CAP SAFETY (Concluded)  
CLASS 3338 - 3345

<u>ITEM NO.</u>	<u>PART NO.</u>	<u>PART NAME</u>
1	203440	Cover
2	CV-5636	O-Ring
3	203492	Adapter Elbow
4	W-15386	Air Seal
5	203439	Support Tube 8-Hd.
	W-15393	Support Tube 2-4-6 Hd.
6	56832	Comp. Fitting
7	Comm.	Reducer Bushing 1/2-1/4NPT
8	W-16690	Cover
9	W-15961	O-Ring
10	W-16703	Elbow
11	203464	Column
12	203363	Conduit
13	W-21706	Half Union
14	W-21707	Male Elbow
15	870038	Reducer Bushing 1/4-1/8
16	W-18764	4-way Solenoid Valve 115V Water tight
	W-18941	4-way solenoid Valve 230V Water Tight
	W-18943	4-way Solenoid Valve 460V Water Tight
	W-18485	4-way Solenoid Valve 115V Water Tight
	<del>W-18492</del> W18942.	4-way Solenoid Valve 230V <del>Water Tight</del> EXP. PR
	W-18944	4-way Solenoid Valve 460V Water Tight
16A	203526	SUPP. PLATE.
17	203437	Reset Cam
18	203420	Clamp Block 8-Hd.
19	203419	Support Bar 8 Hd.
20	203457	Safety Bracket 8-Hd.
21	203418	Roller Guide
22	W-18519	Safety Housing
23	W-18502	Slide Guide
24	W-18503	Bumper
25	W-18504	Nut
26	W-18505	Bumper
27	W-9152	Nut
28	W-18499	Plate
29	W-18506	Air Cylinder
30	204633	Cam Support
31	203847	Support Block (Top)

PLATE 6266-B  
TURRET & NO-BOTTLE NO-CAP SAFETY (Cont.)  
CLASS 3338 - 3345

Rev. 3-14-68

*203526*

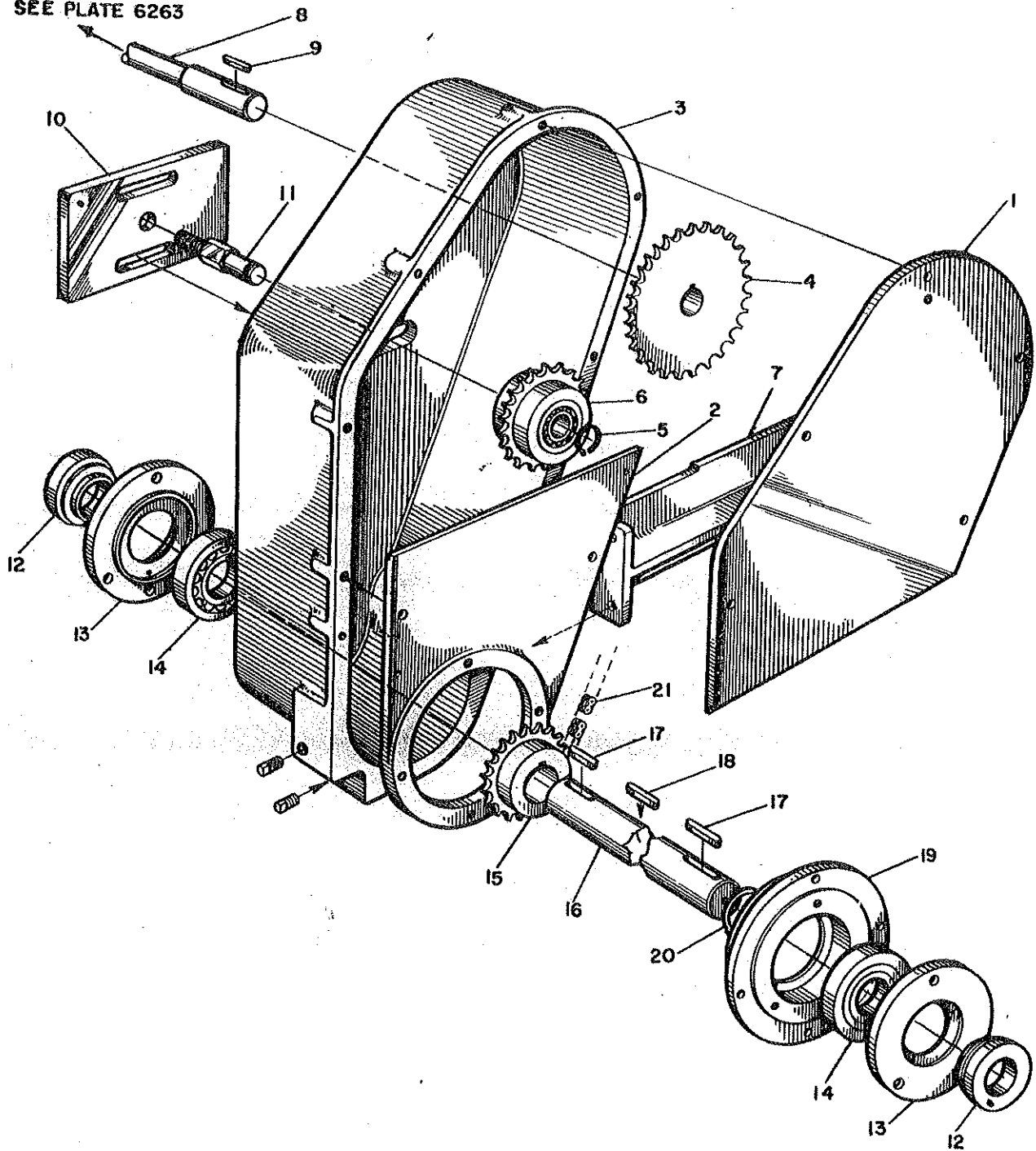


REV.	DATE	TITLE
3-14-68		TURRET & NO-BOTTLE NO-CAP SAFETY
ISSUE DATE		PNEUMATIC SCALE CORPORATION
FEBRUARY 26, 1965		QUINCY, MASSACHUSETTS 02171
		PLATE NO. 6266 B

<u>ITEM NO.</u>	<u>PART NO.</u>	<u>PART NAME</u>
1	W-19544	Cover (Part of Group)
2	W-19545	Cover (part of Group)
3	W-19547	Drive Housing
4	W-19548	Sprocket 6 Rev/Bot 8 Hd.
	W-19566	Sprocket 6 Rev/Bot 6 Hd.
	W-19574	Sprocket 6 Rev/Bot 4 Hd.
	W-19575	Sprocket 4 Rev/Bot 8 Hd.
5	85406	Snap Ring 6 Rev/Bot
	89963	Snap Ring 4 Rev/Bot 8 Hd.
6	W-19484	Idler Sprocket 6 Rev/Bot
	85108	Idler sprocket 4 Rev/Bot 8 Hd.
7	W-19543	Mounting Bracket
8	W-20607	Shaft
9	1213	Key
10	W-19542	Plate
11	W-19541	Idler Stud 6 Rev/Bot
	W-19577	Idler Stud 4 Rev/Bot 8 Hd.
12	W-19474	Collar
13	W-19476	Bearing Cap
14	W-19475	Ball Bearing
15	W-19540	Sprocket 6 Rev/Bot 8 Hd.
	W-19567	Sprocket 6 Rev/Bot 4 & 6 Hd.
	W-19576	Sprocket 4 Rev/Bot 8 Hd.
16	203891	Shaft
17	46087	Key
18	26685	Key
19	W-19538	Bearing Cap
20	LL-225	Retaining Ring
21	32066	Chain 42-1/2" 6 Rev/Bot 8 Hd.
	35569	Chain 39-3/8" lg. 4 Rev/Bot 8 Hd.
	32066	Chain 43-1/2" Lg. 5 Rev/Bot 6 Hd.
	32066	Chain 41-1/2" Lg. 6 Rev/Bot 4 Hd.
	32075	Conn. Link 6 Rev/Bot 4, 6, & 8 Hd.
	35572	Conn. Link 4 Rev/Bot 8 Hd.
	32076	Offset Link 6 Rev/Bot 4, 6, & 8 Hd.
	41662	Offset Link 4 Rev/Bot 8 Hd.

4, 6, & 8-HD. PNEUMACAPPER  
CLASS #3338, 3339, 3340  
SYNCHRO DRIVE  
PLATE 6267

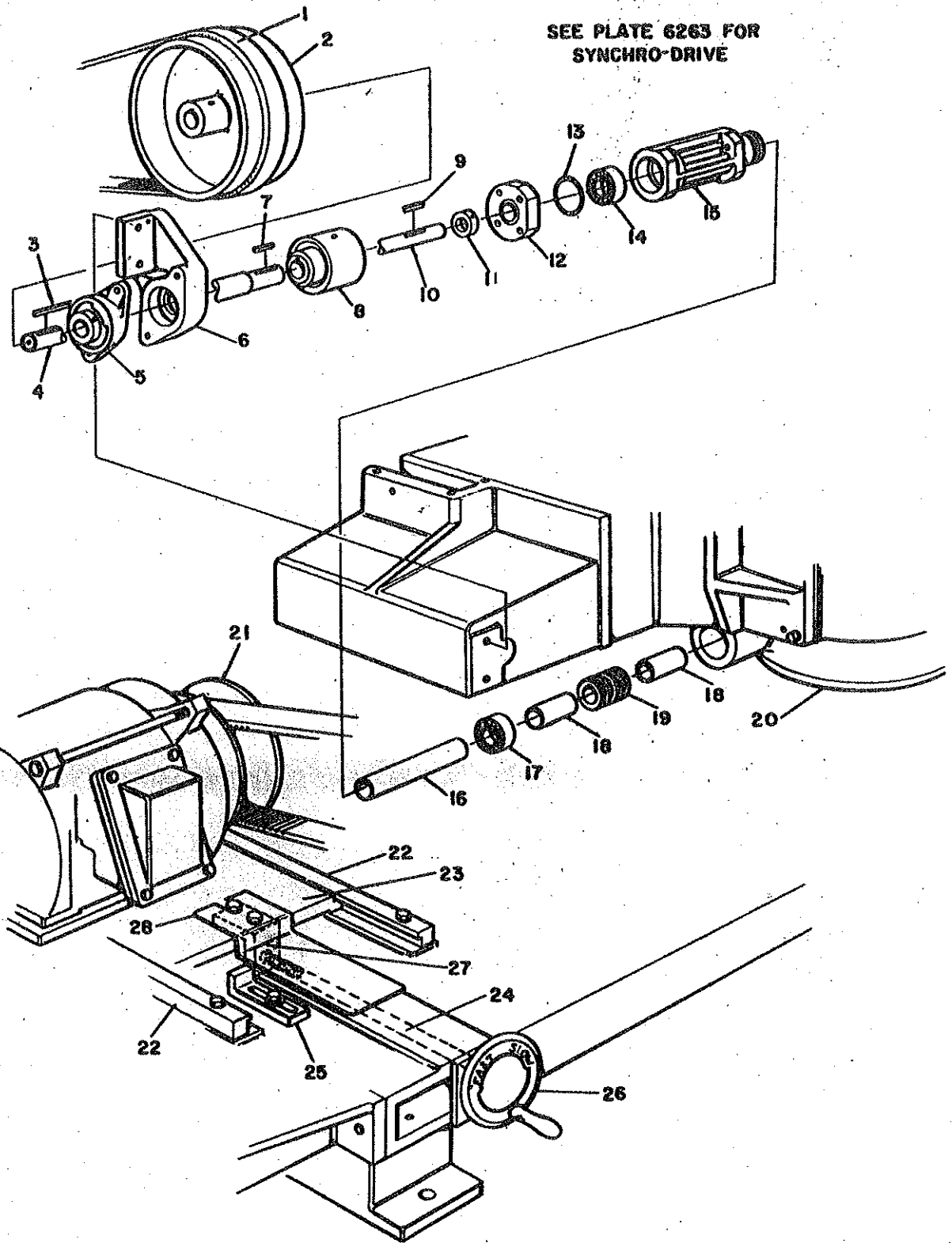
SEE PLATE 6263



REV.	DATE	TITLE
<b>SYNCHRO-DRIVE</b>		
ISSUE DATE February 26, 1965		PNEUMATIC SCALE CORPORATION, LIMITED QUINCY 71, MASSACHUSETTS
		PLATE NO. 6267

<u>ITEM NO.</u>	<u>PART NO.</u>	<u>PART NAME</u>
1	82375	Belt(Cont. Output 9 to 29 P/M-P/Hd.
	91949	Belt(Cont. Output 13 to 40 P/M-P/Hd.
2	W-21657	Pulley Cont. Output 9 to 29 P/M-P/Hd.
	W-15449	Pulley Cont. Output 13 to 40 P/M-P/Hd.
3	9032	Key
4	W-18018	Shaft(2A Sterling Feeder)
	W-18019	Shaft(3A Sterling Feeder)
5	W-18020	Bearing
6	W-18021	Bearing Bracket
7	11871	Key
8	W-20764	Coupling
9	25734	Key
10	W-18015	Shaft
11	W-15733	Seal
12	W-15728	Cap
13	W-15729	O-Ring
14	W-12419	Ball Bearing
15	W-15726	Bearing Housing
16	W-15453	Spacer
17	W-12419	Ball Bearing
18	W-18014	Spacer
19	W-15478	Worm
20	203406	Worm Gear Housing
21	91821	Pulley
22	W-17641	Gib
23	W-17642	Motor Base (2A Feeder)
	W-16064	Motor Base (3A Feeder)
24	W-17643	Adjusting Screw
25	W-17646	Slide Stop
26	6639	Handwheel(Conv. Ht. 33-1/4" or less)
	6640	Handle
	W-2322	Handle(Conv. Ht. more than 33-1/4")
27	W-17652	Bracket
28	W-18547	Guard

2, 4, 6, & 8 HD. PNEUMACAPPER  
CLASS #3338, 3339, 3340, 3341  
MOTOR DRIVE  
PLATE 6268



REV.	DATE	TITLE
ISSUE DATE		
February 26, 1965		
PNEUMATIC SCALE CORPORATION, LIMITED		PLATE NO.
QUINCY 71, MASSACHUSETTS		6268

<u>ITEM NO.</u>	<u>PART NO.</u>	<u>PART NAME</u>
58	W-15359	Oil Seal
59	202588	Arm
60	202590	Stud
61	202589	Sprocket

Rev. 4-22-68

2,4,6,8-HD. PNEUMACAPPER  
CLASS #3338,3339,3340,3341  
HELIX MOUNTING & DRIVE  
PLATE 6269 (Concluded)

<u>ITEM NO.</u>	<u>PART NO.</u>	<u>PART NAME</u>
30	W-17765	Sprocket
31	7920	Washer
32	TB-2864	Ret. Ring
33	W-17768	Sprocket
34	W-21850	Guide Rail
35	202127	Support
36	BL-5822	Adapter
37	W-21920	Shaft 3 or 3-1/2" Dia. -Helix 30"lg.
	W-17178	Shaft 3 or 3-1/2" Dia. -Helix 25"lg.
	W-17519	Shaft 3 or 3-1/2" Dia. -Helix 18-1/2" lg.
	203879	Shaft 2-1/4" Dia. -Helix 25" lg.
	203880	Shaft 2-1/4" Dia. -Helix 30"lg.
	W-18194	Shaft 2-1/4" Dia. -Helix 18-1/2" lg.
38	BL-5700	Key
39	W-17176	Clamp Plug 3" or 3-1/2" Dia. Helix
	W-18196	Clamp Plug 2-1/4" Dia. Helix
40	202126	Bearing
41	W-17951	Key
42	202131	Support
43	202668	Shaft-30" lg. Helix
	202667	Shaft-Helix 18-1/2" lg.
	202587	Shaft-Helix 25" lg.
44	W-2312	Pointer
45	W-17780	Stud
46	202132	Bracket
47	W-17760	Sprocket 6,8Hd.
	BL-5515	Sprocket 4 Hd.
	W-17761	Sprocket 2 Hd.
48	W-17772	Shaft
49	202128	Support
50	8585	Collar
51	23272	Chain
	33462	Conn. Link
52	202129	Bracket
53	W-17044	Dead Plate-LH 3-1/4" Wide Chain
	W-16969	Dead Plate-LH 4-1/2" Wide Chain
	W-17045	Dead Plate-RH 3-1/4" Wide Chain
	W-16970	Dead Plate-RH 4-1/2" Wide Chain
54	27915	Key
55	W-18677	Washer-Spider Hub Lgth. 5" or More
	W-14073	Washer-Spider Hub Less Than 5"
56	W-13097	Key
57	W-9678	Support

2, 4, 6, 8-HD. PNEUMACAPPER  
CLASS #3338, 3339, 3340, 3341

Rev. 4-22-68

HELIX MOUNTING & DRIVE

PLATE 6269 (Continued)

<u>ITEM NO.</u>	<u>PART NO.</u>	<u>PART NAME</u>
1	W-17912	Transfer Plate
2	203398	Shaft
3	203403	Shaft
4	W-17759	Mitre Gear
	19970	Key
5	W-17758	Mitre Gear
6	6417	Key
7	DW-498	Idler Sprocket 8.Hd.
	203110	Idler Sprocket 2,4,6-Hd.
8	W-17764	Sprocket 8.Hd.
	W-17763	Sprocket 2 Hd.
	W-17766	Sprocket 4,6Hd.
9	W-17773	Stud
10	W-17777	Stud
11	W-17787	Bracket
12	W-15570	Bearing Bracket
13	W-21856	Conveyor Support-Steel Chain
	W-21857	Conveyor Supp.-Plastic Chain
14	W-21852	Tie Piece-3-1/4" Wide Chain
	W-21853	Tie Piece-4-1/2" Wide Chain
15	W-21858	Tie Piece-3-1/4" Wide Chain
	W-21859	Tie Piece-4-1/2" Wide Chain
16	W-21867	Chain Rail-Fr.
	203713	Chain Rail-Back
17	W-21841	Chain Guide-4-1/2" Wide Chain
	W-18967	Chain Guide-3-1/4" Wide Chain
	4758	Washer-4-1/2" Wide Chain
18		
19		
20	W-21855	Support-4-1/2" Wide Chain
	W-21871	Support-3-1/4" Wide Chain
21	W-21148	Guide Rail Stud
22	W-21198	Support Stud
23	W-21096	Clamp
24	W-21862	Chain Ret. Rail-F.
	W-21863	Chain Ret. Rail-B.
25	W-14981	Rail Coupling
26	W-17770	Sprocket
27	W-17769	Sprocket
28	W-17775	Offset Link
	W-17844	Conn. Link
	W-17776	Chain
29	W-17782	Idler Support

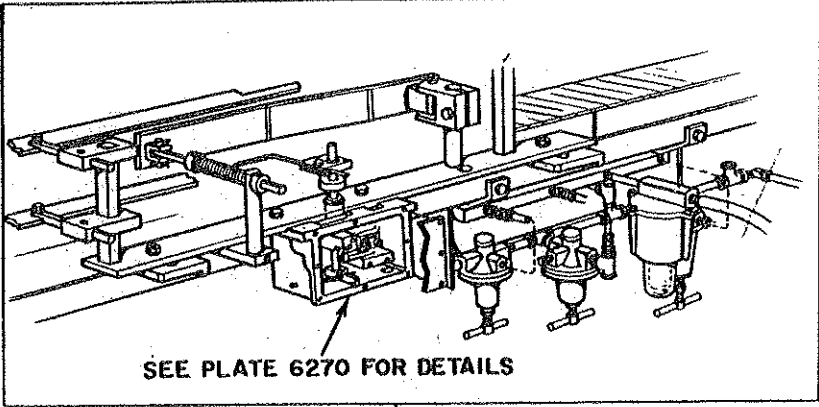
Rev. 4-22-68

2,4,6,8-HD. PNEUMACAPPER

CLASS #3338,3339,3340,3341

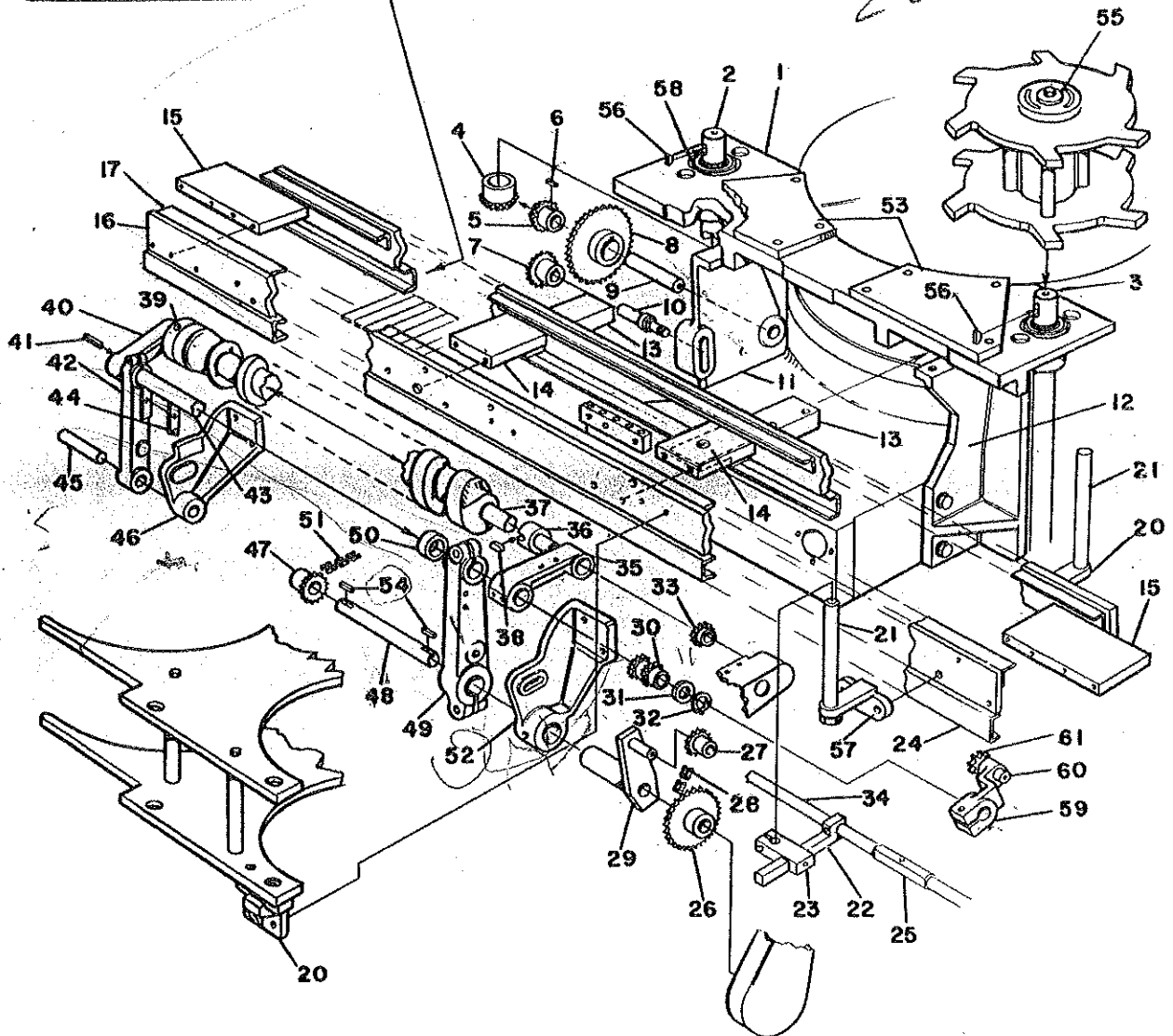
HELIX MOUNTING & DRIVE

PLATE 6269 (Continued)



SEE PLATE 6270 FOR DETAILS

204679



REV.	DATE	TITLE
ISSUE DATE February 26, 1965		PNEUMATIC SCALE CORPORATION, LIMITED QUINCY 71, MASSACHUSETTS
		PLATE NO. 6269

<u>ITEM NO.</u>	<u>PART NO.</u>	<u>PART NAME</u>
	203723	Yielding Rail-St.St. 2" Wide 4,6,8:Hd.
31	W-17866	Bearing 2" Wide Rail
	W-18583	Bearing 3/4" Wide Rail
32	W-17874	Stud
33	44071	Pin 2" Wide Rail
	W-18582	Pin 3/4" Wide Rail
34	203929	Stud
35	203726	Support 2,4 & 8 Hd.
	204280	Support 6 Hd.
36	W-9152	Nut
37	W-17615	Air Pressure Regulator
38	W-17616	Air Pressure Regulator
39	84866	Air Filter
40	W-17692	Support Bracket 3-1/4" Chain
	W-17691	Support Bracket 4-1/2" Chain
41	203354	Gauge Mount
42	59754	Str. Adapter
43	56832	Comp. Fitting
44	203729	Spacer

2,4,6,8-HD. PNEUMACAPPER  
CLASS #3338,3339,3340,3341

YIELDING RAIL

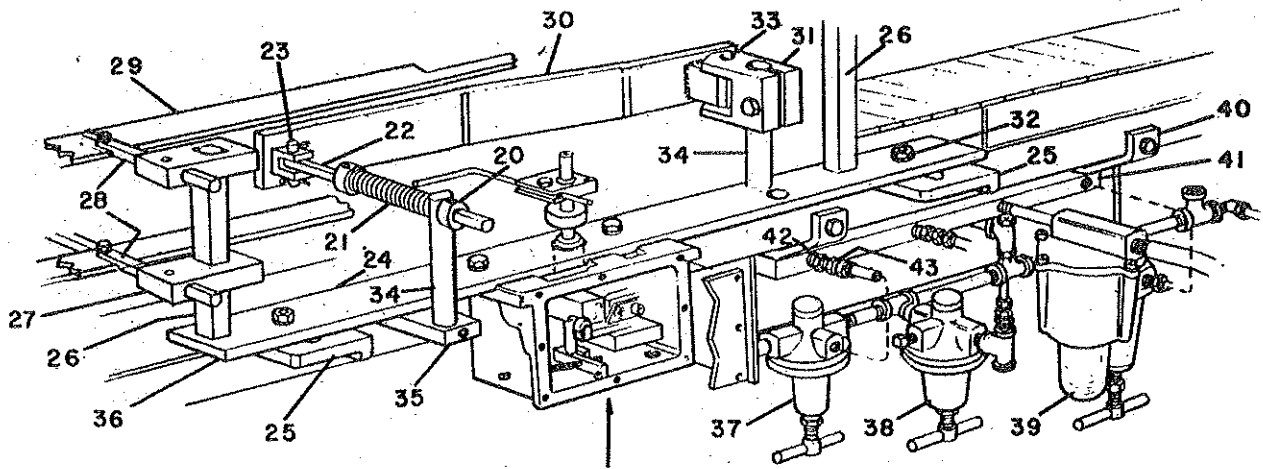
Rev. 4-16-68

PLATE 6270 (Concluded)

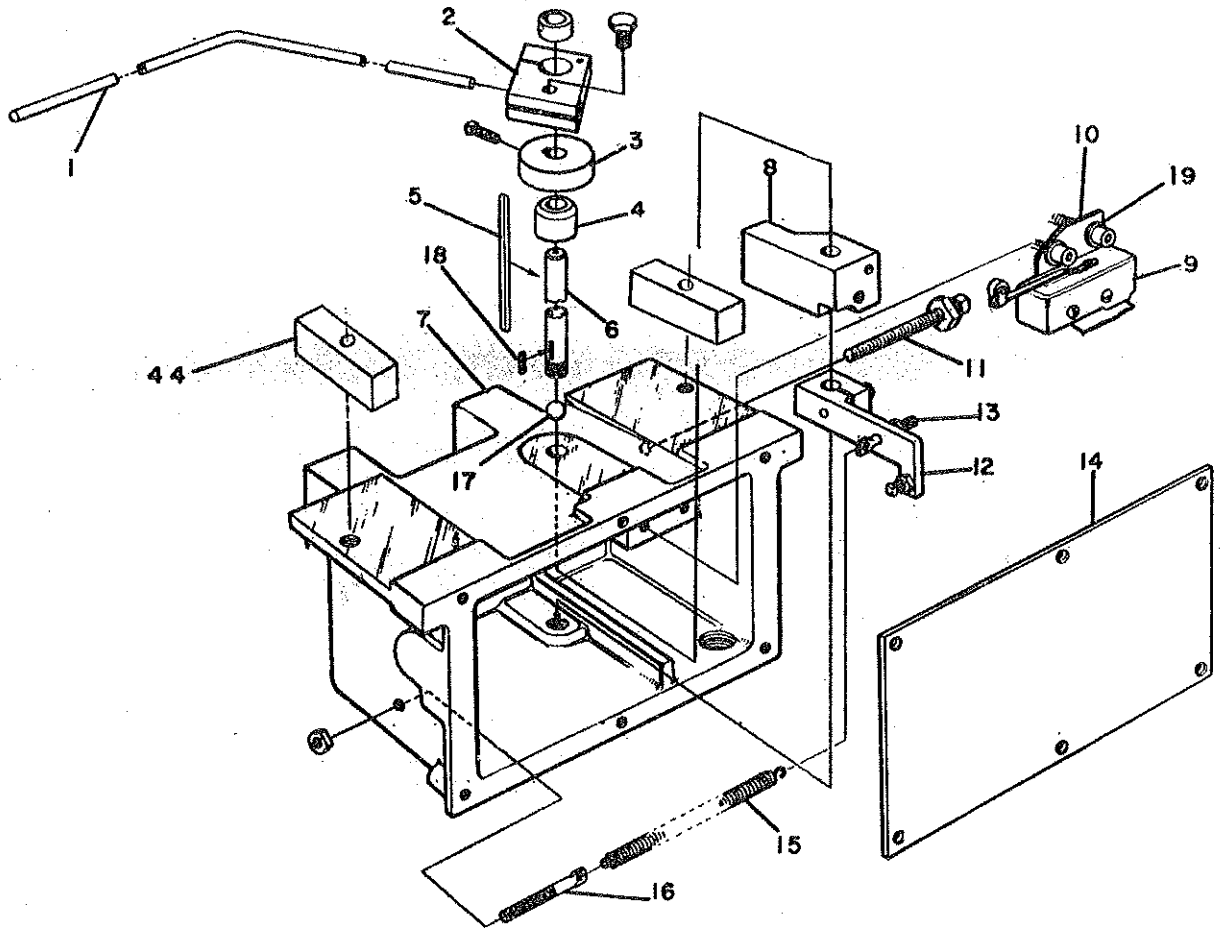
<u>ITEM NO.</u>	<u>PART NO.</u>	<u>PART NAME</u>
1	201240	Finger
2	W-15654	Clamp
3	W-15653	Clamp Bushing
4	W-13288	Dust Guard
5	34737	Key
6	W-17878	Shaft
7	201238	Switch Box(Helical Int. & Drive)
	201239	Switch Box(Dial Int. & Drive)
8	W-16667	Lever
9	TB-1909	Micro Switch
10	W-14373	Insulator
	W-12526	Switch Plate
11	203772	Screw
12	201169	Lever
13	5514	Spring Stud
14	W-17877	Plate
15	85912	Spring
16	201168	Spring Stud
17	876705	1/4" Dia. Steel Ball
18	27915	Key
19	BL-5941	Washer
20	157	Collar
21	79153	Spring
22	W-17867	Stud
23	840594	Pin
24	203724	Support Plate 6 & 8 Hd.
	203725	Support Plate 2 Hd.
	204364	Support Plate 4Hd.
25	W-17862	Support
26	W-17869	Support
27	W-17868	Support
28	W-17863	Stud
29	203717	Guide Rail-Stain.St. 4, 6, 8 Hd.
	90910	Retaining Plate
	203932	Wear Strip 4, 6, 8 Hd.
	203733	Guide Rail St. Steel 2 Hd.
	203930	Wear Strip 2 Hd.
30	203720	Yielding Rail-St.St. 3/4" Wide 4, 6, 8 Hd.
	203722	Yielding Rail-St.St. 3/4" Wide 2 Hd.
	203721	Yielding Rail-St.St. 2" Wide 2 Hd.

Rev. 4-16-68

2, 4, 6, 8-Hd. PNEUMACAPPER  
CLASS #3338, 3339, 3340, 3341  
YIELDING RAIL  
PLATE 6270 (Cont.)



SEE PARTS EXPLODED BELOW



REV.	DATE	TITLE	
4-16-68		YIELDING RAIL	
ISSUE DATE FEBRUARY 26, 1965		PNEUMATIC SCALE CORPORATION QUINCY, MASSACHUSETTS 02171	PLATE NO. 6270

<u>ITEM NO.</u>	<u>PART NO.</u>	<u>PART NAME</u>
33	203616	Piston-Small Chuck
	203620	Piston-Small Chuck ,Hi-Lift
	203617	Piston-Med.Chuck
	203621	Piston-Med.Chuck ,Hi-Lift
	203622	Piston-Lge.Chuck-Spec.75MM.
	203619	Piston-Extra Lge.Chuck
34	W-16482 S.P.	Reg.Button-Sm.&Med.Chuck
	W-22305 S.P.	Reg.Button-Lg.&Extra Lge.Chuck
35	204208S.P.	Chuck Insert
36	W-16495 S.P.	Retainer-Sm.Chuck
	W-20646 S.P.	Retainer-Sm.Chuck-Hi-Lift
	W-16497 S.P.	Retainer-Med.Chuck
	W-20647 S.P.	Retainer-Med.Chuck-Hi-Lift
	W-20369 S.P.	Retainer-Lge.Chuck-Spec.75MM
	W-16715 S.P.	Retainer-Extra Lge.Chuck

2,4,6,8-HD. PNEUMACAPPER  
CLASS #3338,3339,3340,3341

Rev. 4-16-68

CAPPING CHUCK DRIVE

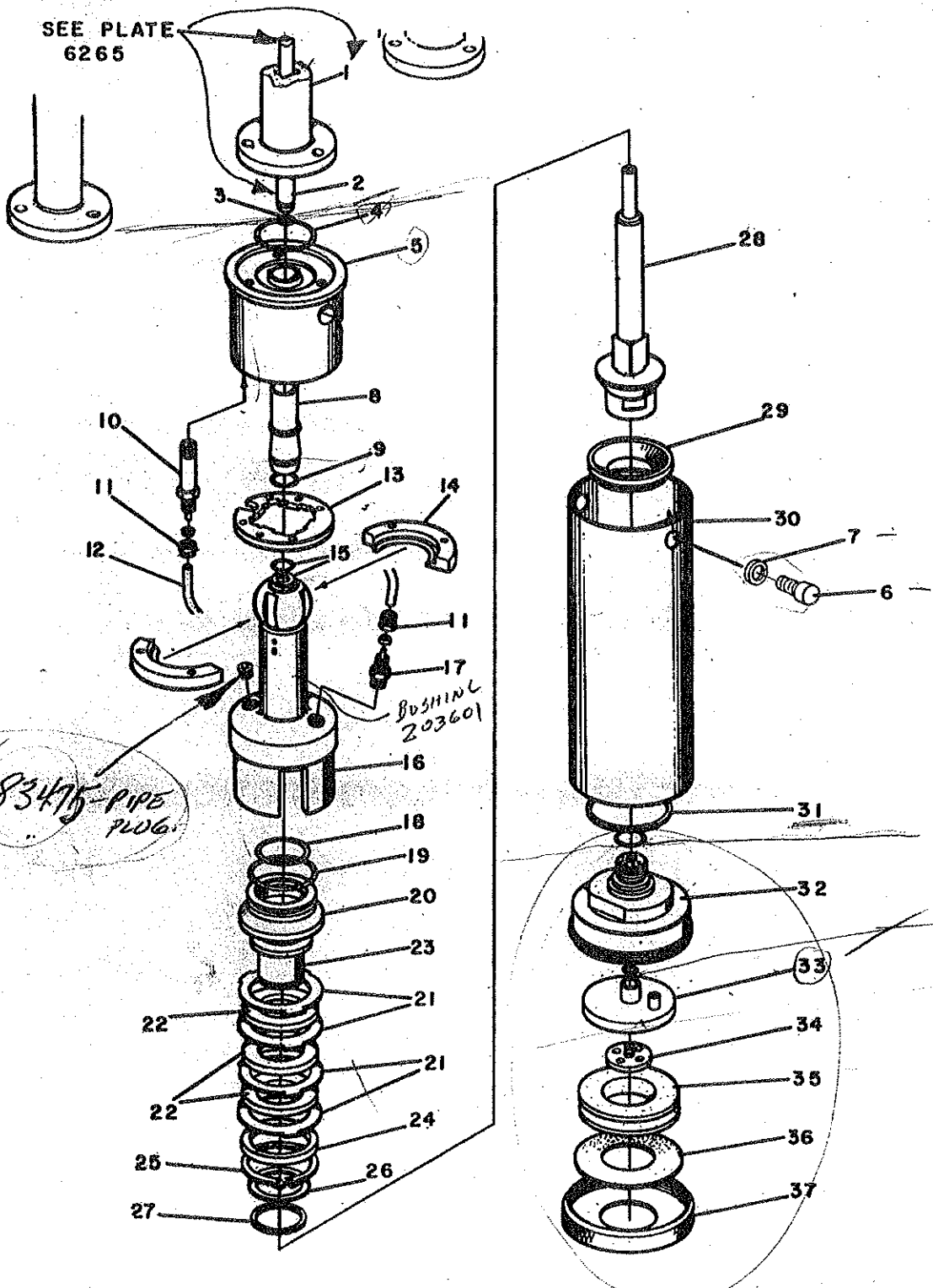
PLATE 6271 (Concluded)

ITEM NO.	PART NO.	PART NAME
✓ 1	✓ 203487	Chuck Spindle
✓ 2	✓ 203364	Inner Air Pipe
✓ 3	✓ W-15798	O-Ring
✓ 4	✓ W-15387	O-Ring
✓ 5	✓ 203537	Chuck Hub
✓ 6	✓ Comm. (2 of each) 876868	1/4 Lock Washer
✓ 7	✓ Comm. 876007	1/4-28 x 1/2 lg. Soc. Hd. Scr.
✓ 8	✓ 203533	O-Ring Stem (Pt. of Gr.)
✓ 9	✓ W-22058	O-Ring
✓ 10	✓ 203534	Air Connection
✓ 11	✓ 203539 840709	Hose Sleeve 2 PER HD.
✓ 12	✓ 840451 840820 841276	Vinyl Hose 8" LG.
✓ 13	✓ 203531	Driving Ring
✓ 14	✓ 203532	Driving Ring
✓ 15	✓ W-18766	O-Ring
✓ 16	✓ 430039	Washer
✓ 17	✓ 203589	Friction Housing
✓ 18	✓ W-21706	Half Union
✓ 19	✓ 840447	O-Ring
✓ 20	✓ 840448	O-Ring
✓ 21	✓ 203592	Piston Disc
✓ 22	841984 → 840450 } SEE LIST FOR QUANTITIES	Outer Disc-All Caps
✓ 23	✓ 204081 - 203598	Inner Disc
✓ 24	✓ 203595 - 203596	Body Disc
✓ 25	✓ 203596 203595	Ret. Disc-15-43 MM.
✓ 26	✓ 203598 203595	Ret. Disc-45-70 MM.
✓ 27	✓ W-20486	Ret. Disc-75-89 MM.
✓ 28	✓ 204080	Snap Ring
✓ 29	✓ 204079	Spacer 15-43 MM.
✓ 30	2 ✓ 840449	Spacer 45-70 MM.
✓ 31	✓ W-16709	Retaining Ring
✓ 32	✓ 203529	Spindle
	✓ 203538	Spindle Seat
	✓ 840433	Chuck Housing
	✓ 203649	Retaining Ring
	203653	Chuck End-Small Chuck
	203650	Chuck End-Small Chuck, Hi-Lift
	203654	Chuck End-Med. Chuck
	203651	Chuck End-Med. Chuck, Hi-Lift
	203652	Chuck End-Lge. Chuck & Lge. Chuck 75MM.
	2,4,6,8-HD. PNEUMACAPPER	Chuck End-Extra Lge. Chuck
	CLASS #3338, 3339, 3340, 3341	
	CAPPING CHUCK DRIVE	
	PLATE 6271 (Continued)	

TORQUE AIR  
PR. GAUGE  
840868

Rev. 4-16-68

SEE PLATE  
6265



1-83475-P105  
P106

BUSHING  
203601

REV.	DATE
4-16-68	

TITLE  
**CAP CHUCK & SPINDLE**

ISSUE DATE  
**FEBRUARY 26, 1965**

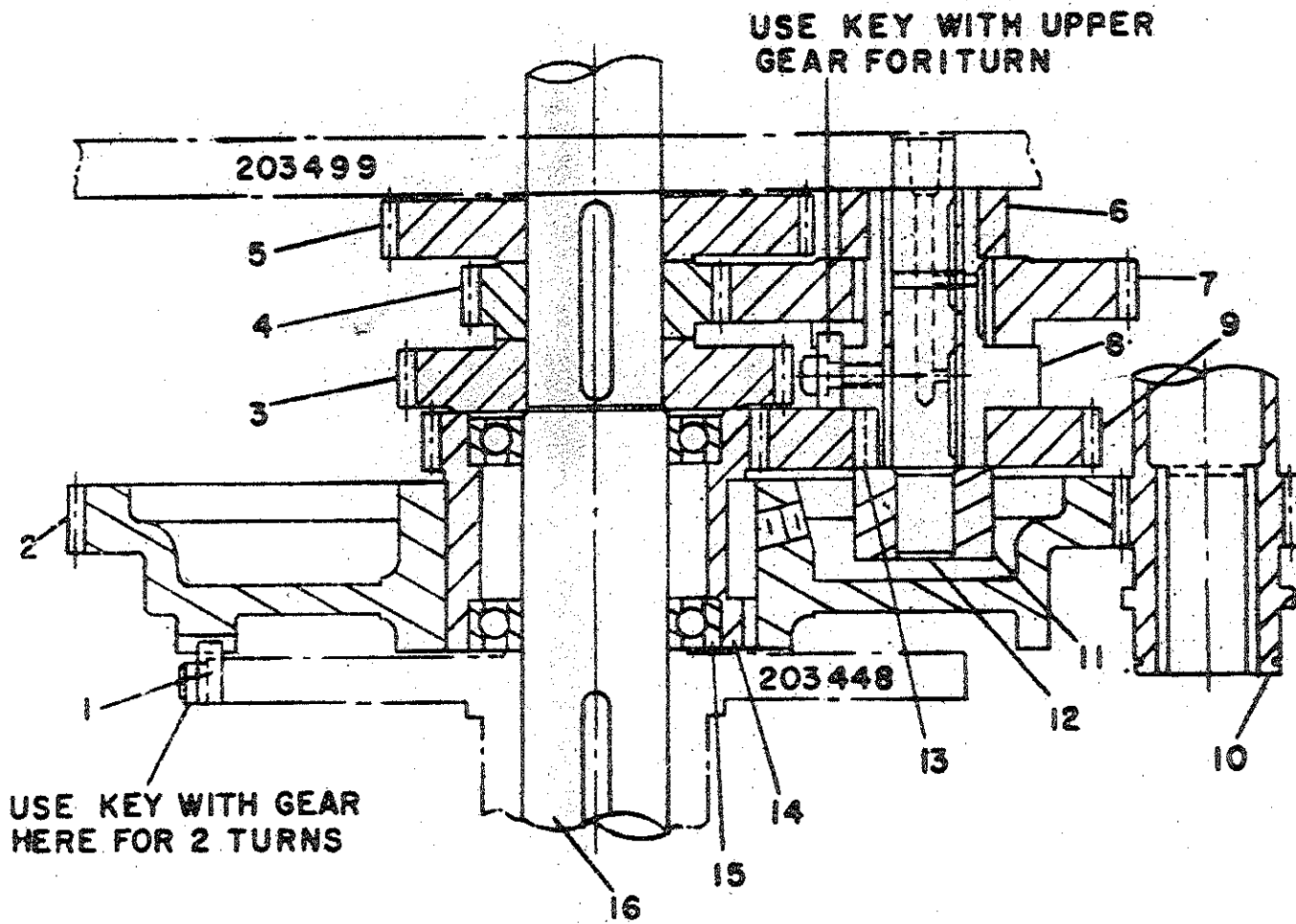
**PNEUMATIC SCALE CORPORATION**  
QUINCY, MASSACHUSETTS 02171

PLATE NO.  
**6271**

<u>ITEM NO.</u>	<u>PART NO.</u>	<u>PART NAME</u>
1	W-15613	Key
2	203433	Gear 132T
3	W-19762	Gear 48T
4	W-19773	Gear 32T
5	W-19779	Gear 53T
6	W-16679	Spacer
7	W-21927	Gear 52T
8	W-21925	Sleeve
9	W-19768	Gear 42T
10	203486	Spindle Pinion
11	203453	Bracket
12	203421	Shaft
13	26806	Key
14	202262	Gear 42T
15	202261	Ball Bearing
16	203497	Center Post

2,4,6,8-HD. PNEUMACAPPER  
CLASS #3338,3339,3340,2241  
SPINDLE SPEED GEARINGS  
1 & 2 CHUCK TURNS  
PLATE 6272

PLATE 6272



1 & 2 TURNS

SPINDLE SPEED GEARING

© HD. PNEUMACAPPER CLASS 3338

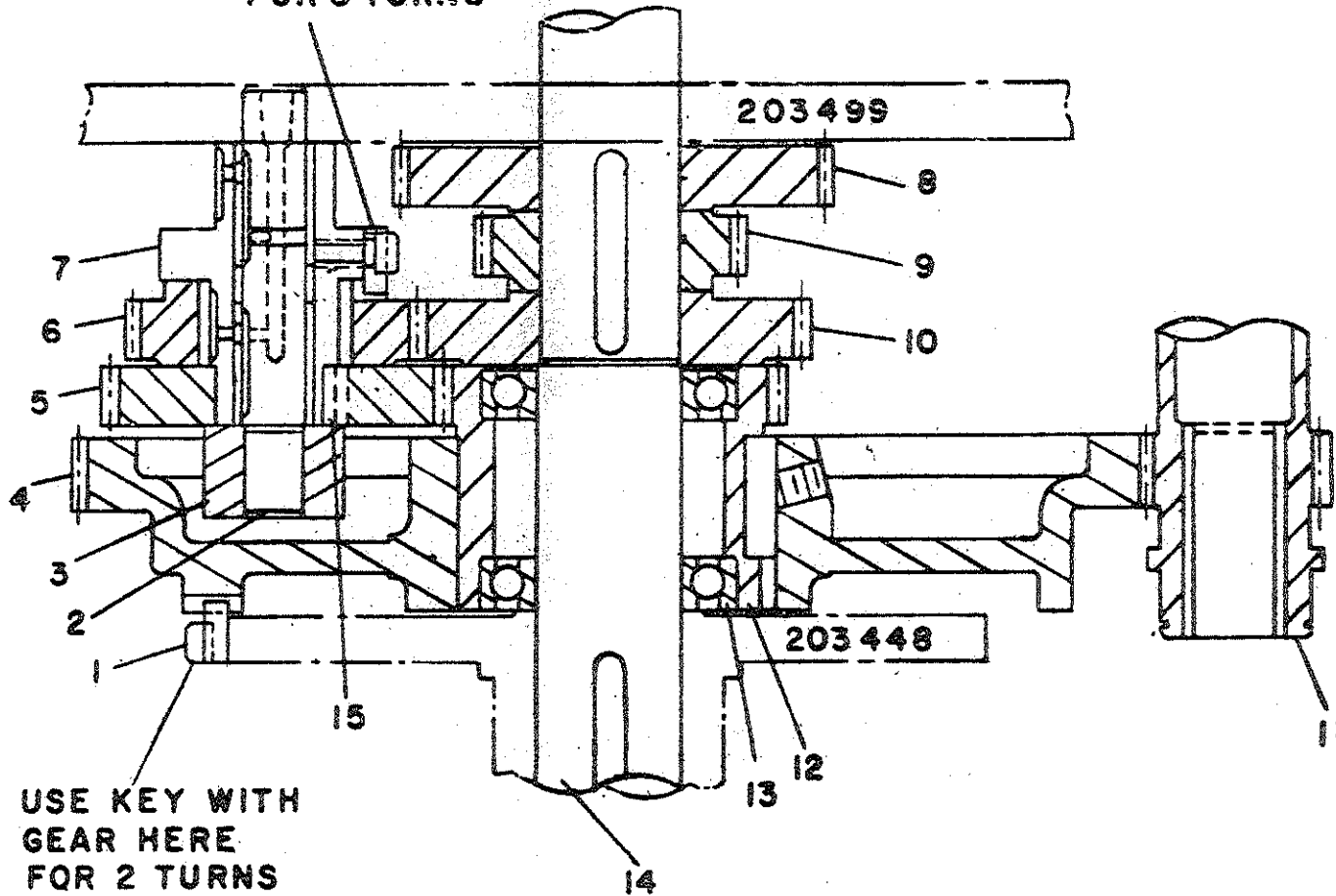
1-22-68

<u>ITEM NO.</u>	<u>PART NO.</u>	<u>PART NAME</u>
1	W-15613	Key
2	203421	Shaft
3	203453	Bracket
4	203433	Gear 132T
5	W-19768	Gear 42T
6	W-21929	Gear 36T
7	W-21931	Sleeve
8	W-19779	Gear 53T
9	W-19773	Gear 32T
10	W-19762	Gear 48T
11	203486	Spindle Pinion
12	202262	Gear 42T
13	202261	Ball Bearing
14	203497	Center Post
15	26806	Key

2,4,6,8-HD. PNEUMACAPPER  
CLASS #3338,3339,3340,3341  
SPINDLE SPEED GEARINGS  
2 & 3 CHUCK TURNS  
PLATE 6273

PLATE 6273

USE KEY WITH  
LOWER GEAR  
FOR 3 TURNS



USE KEY WITH  
GEAR HERE  
FOR 2 TURNS

2 & 3 TURNS

SPINDLE SPEED  
GEARING

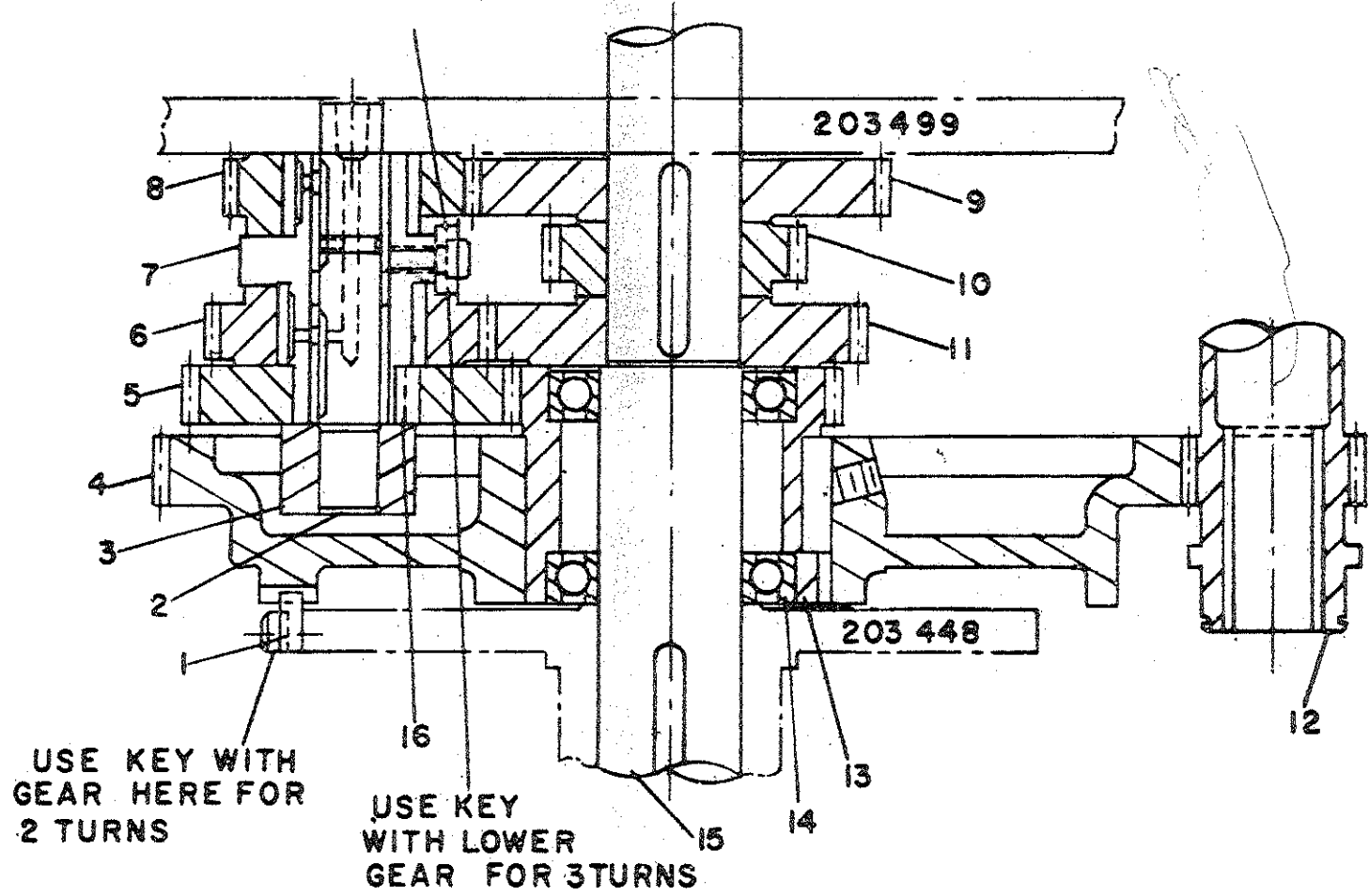
© H.D. PNEUMACAPPER  
CLASS 33 36

<u>ITEM NO.</u>	<u>PART NO.</u>	<u>PART NAME</u>
1	W-15613	Key
2	203421	Shaft
3	203453	Bracket
4	203433	Gear 132T
5	W-19768	Gear 42T
6	W-21929	Gear 36T
7	W-21931	Sleeve
8	W-21928	Gear 31T
9	W-19779	Gear 53T
10	W-19773	Gear 32T
11	W-19762	Gear 48T
12	203486	Spindle Pinion
13	202262	Gear 42T
14	202261	Ball Bearing
15	203497	Center Post
16	26806	Key

2,4,6,8-HD. PNEUMACAPPER  
CLASS #3338,3339,3340,3341  
SPINDLE SPEED GEARINGS  
2,3,& 4 TURNS  
PLATE 6274

USE KEY WITH UPPER  
GEAR FOR 4 TURNS

PLATE 6274



USE KEY WITH  
GEAR HERE FOR  
2 TURNS

USE KEY  
WITH LOWER  
GEAR FOR 3 TURNS

2,3, & 4 TURNS

SPINDLE SPEED GEARING

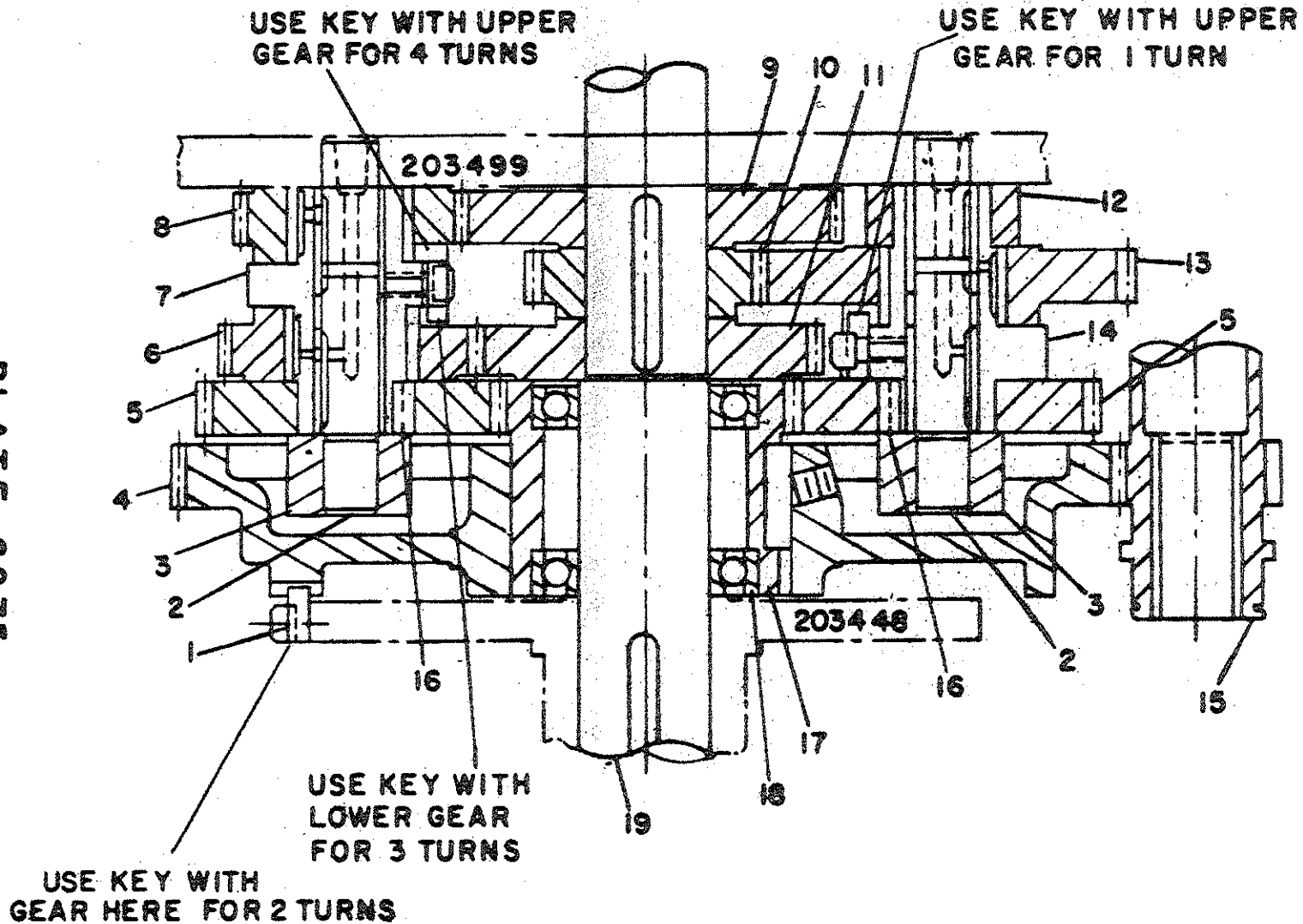
G. H. D. PNEUMACAPPER CL. 3330

1-22-68

<u>ITEM NO.</u>	<u>PART NO.</u>	<u>PART NAME</u>
1	W-15613	Key
2	203421	Shaft
3	203453	Bracket
4	203433	Gear 132T
5	W-19768	Gear 42T
6	W-21929	Gear 36T
7	W-21931	Sleeve
8	W-21928	Gear 31T
9	W-19779	Gear 53T
10	W-19773	Gear 32T
11	W-19762	Gear 48T
12	W-16679	Spacer
13	W-21927	Gear 52T
14	W-21925	Sleeve
15	203486	Spindle Pinion
16	26806	Key
17	202262	Gear 42T
18	202261	Ball Bearing
19	203497	Center Post

2, 4, 6, 8-HD. PNEUMACAPPER  
CLASS #3338, 3339, 3340, 3341  
SPINDLE SPEED GEARINGS  
1, 2, 3 & 4 CHUCK TURNS  
PLATE 6275

PLATE 6275



GHD. PNEUMACAPPER  
CLASS 3336

1-22-66

<u>ITEM NO.</u>	<u>PART NO.</u>	<u>NAME OF PART</u>
1	840433	Retaining Ring
2	204772	Driving Ring
3	204773	Retaining Collar
4	840450	Outer Disc
5	840736	O Ring
6	840451	Tubing
7	203599	Hose Sleeve
8	W-22058	O Ring
9	203538	Chuck Housing
10	203537	Chuck Hub
11	203364	Inner Air Pipe
12	203487	Chuck Spindle
13	W-15798	O Ring
14	W-15387	O Ring
15	203531	Driving Ring
16	W-18766	O Ring
17	203532	Driving Ring
18	203599	Hose Sleeve
19	204774	Piston Housing
20	840737	O Ring
21	204771	Piston
22	W-20486	Retaining Ring
23	203529	Spindle Seat
24	W-16720	O Ring

2, 4, 6, & 8-HD. PNEUMAPLUGGER  
CLASS #3342, 3343, 3344, 3345  
PLUGGING & CORKING CHUCK  
PLATE 6276