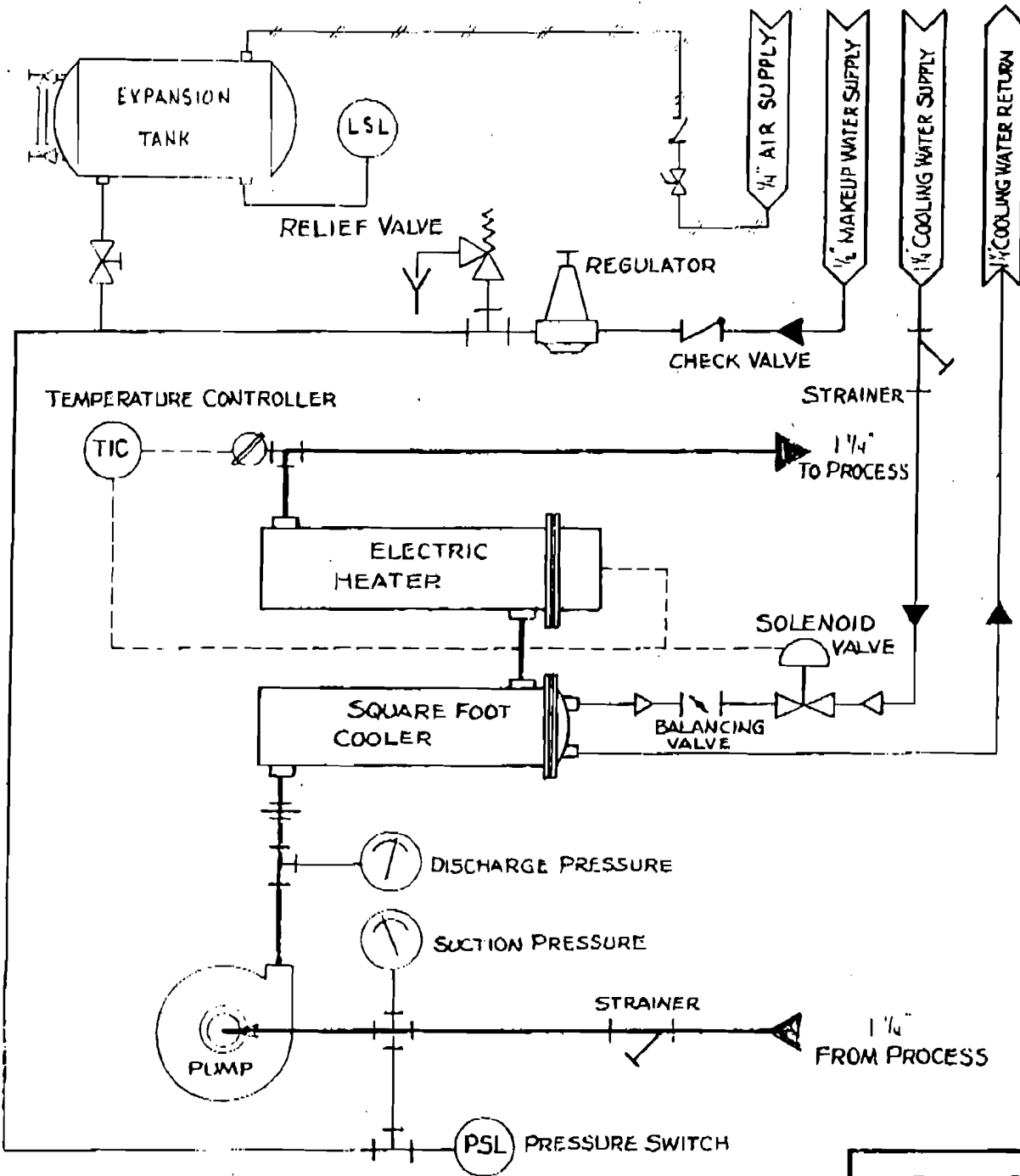




-- ONE-ZONE FLOW SCHEMATIC --

DIV. OF LINERCON SYSTEMS, INC.



SA-108

SUPER-TROL Division

14100 BROOKPARK ROAD
CLEVELAND, OHIO 44135