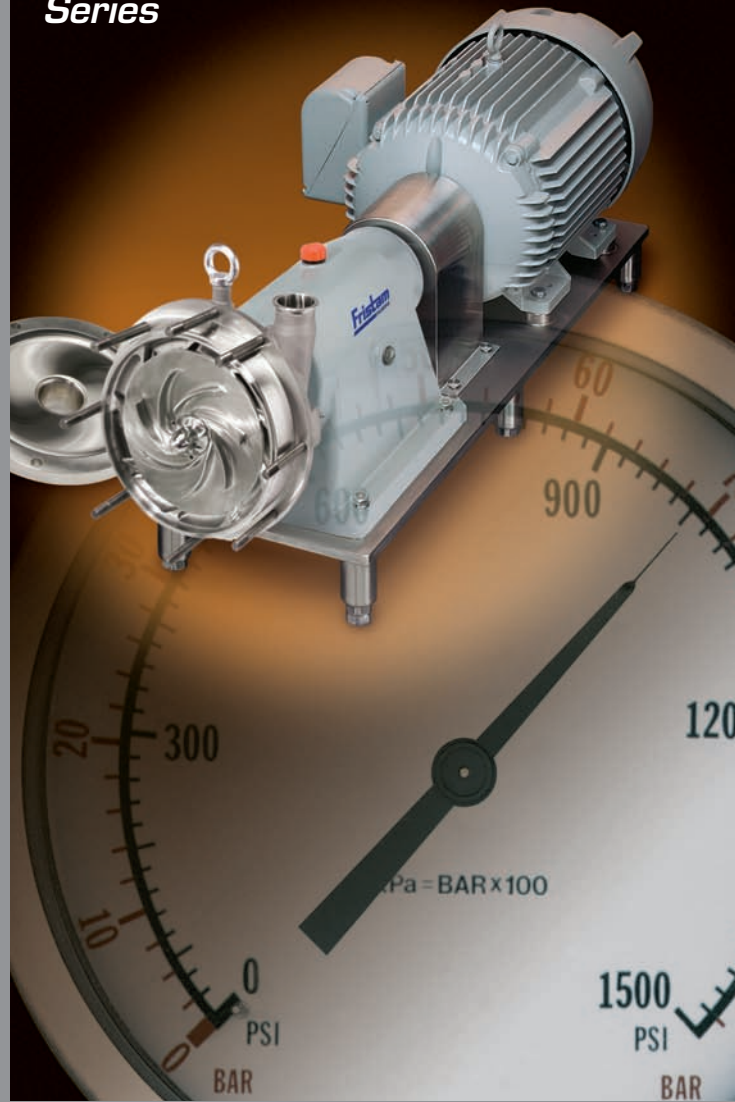


*High-Pressure
Sanitary Centrifugal Pumps*

FM & FPH
Series



**Fristam Pumps...
Performance You've Come To Expect**

FM Multi-Stage High-Pressure Pumps

FM pumps are built with a heavy-duty bearing block assembly, mounted on a stainless steel base, complete with a coupling guard. The bearing block uses labyrinth oil seals and heavy-duty bearings. A close-coupled version (CCFM) is available for applications with space constraints.

FM pumps have become the benchmark for reverse osmosis system pumps with a non-pulsating flow and lower maintenance costs. Additionally, the FM's seal and bearing life are usually measured in years rather than months.

FM 3 Multi-Stage Pumps

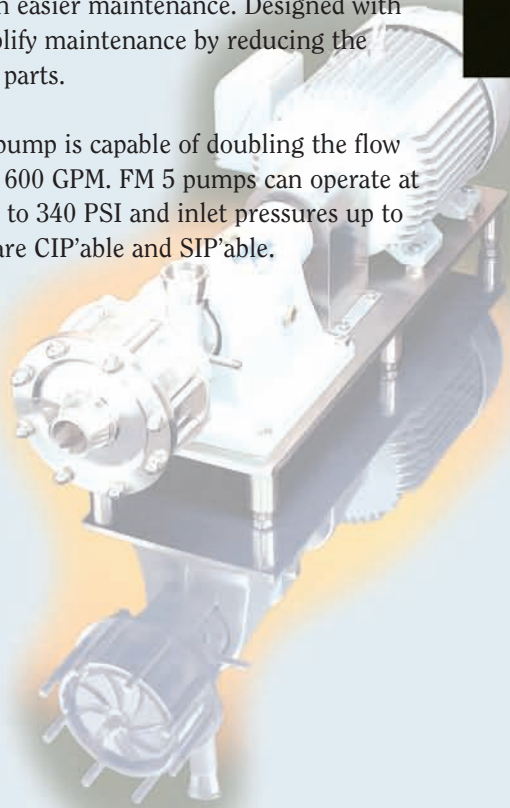
FM 3 Series multi-stage pumps are available in one, two, three, or four stages, with each additional stage increasing the pump's discharge pressure capabilities. Single stage pumps are often used as re-circulation loop pumps. Two, three, and four stage pumps are typically used to produce the required system pressure for a reverse osmosis system.

The FM 3 multi-stage pump is capable of flow rates up to 300 GPM and discharge pressures up to 275 PSI. By placing pumps in series, a maximum discharge pressure of 1250 PSI can be achieved. FM 3 pumps are CIP'able and SIP'able.

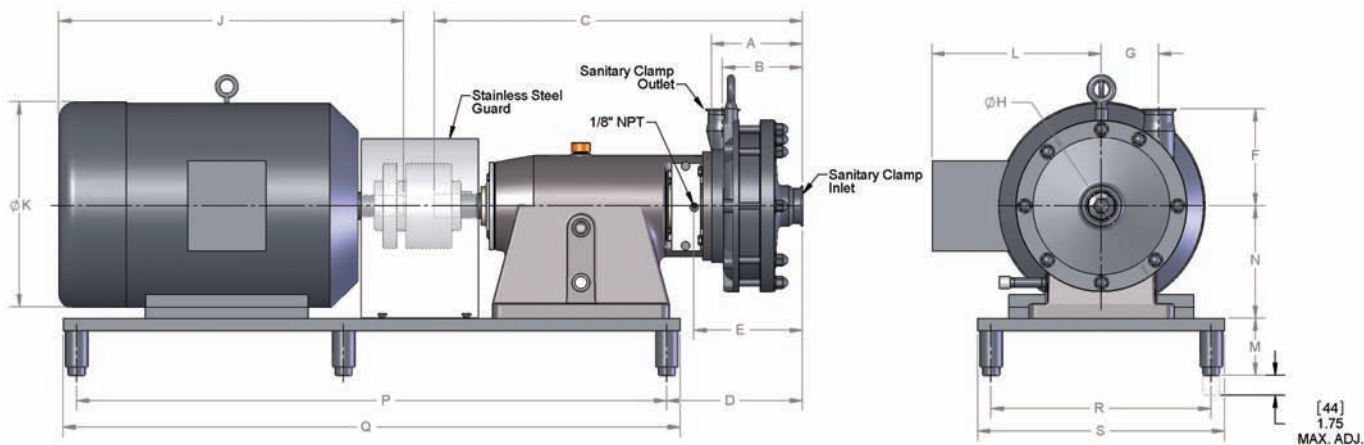
FM 5 Multi-Stage Pumps

Fristam FM 5 Series multi-stage pumps offer higher flow and more pressure with easier maintenance. Designed with fewer stages, they simplify maintenance by reducing the number of mechanical parts.

The FM 5 multi-stage pump is capable of doubling the flow rate of the FM 3, up to 600 GPM. FM 5 pumps can operate at discharge pressures up to 340 PSI and inlet pressures up to 750 PSI. FM 5 pumps are CIP'able and SIP'able.



FM Dimensional Drawing



[44]
1.75
MAX. ADJ.

MOTOR HP	MOTOR FRAME	J	K	L	M	N		P		Q		R		S	
						FM 3	FM 5	FM 3	FM 5	FM3	FM 5	FM 3	FM 5	FM 3	FM 5
7.5 HP	184T	469 (18.46")	263 (10.35")	220 (8.66")	121 (4.76")	200 (7.87")	-	1083 (42.64")	-	1143 (45.00")	-	321 (12.64")	-	381 (15.00")	-
10 HP	215T	469 (18.46")	263 (10.35")	220 (8.66")	121 (4.76")	200 (7.87")	254 (10.00")	1083 (42.64")	1108 (43.62")	1143 (45.00")	1169 (46.00")	321 (12.64")	-	381 (15.00")	-
15 HP	215T	536 (21.10")	270 (10.63")	225 (8.86")	121 (4.76")	200 (7.87")	254 (10.00")	1083 (42.64")	1108 (43.62")	1143 (45.00")	1169 (46.00")	321 (12.64")	-	381 (15.00")	-
20 HP	256T	580 (22.83")	270 (10.63")	225 (8.86")	121 (4.76")	200 (7.87")	254 (10.00")	1083 (42.64")	1108 (43.62")	1143 (45.00")	1169 (46.00")	321 (12.64")	-	381 (15.00")	-
25 HP	284TS	670 (26.38")	395 (15.55")	333 (13.11")	121 (4.76")	200 (7.87")	254 (10.00")	1083 (42.64")	1108 (43.62")	1143 (45.00")	1169 (46.00")	321 (12.64")	-	381 (15.00")	-
30 HP	286TS	670 (26.38")	395 (15.55")	333 (13.11")	121 (4.76")	200 (7.87")	254 (10.00")	1083 (42.64")	1108 (43.62")	1143 (45.00")	1169 (46.00")	321 (12.64")	-	381 (15.00")	-
40 HP	324TS	731 (28.78")	430 (16.93")	371 (14.61")	121 (4.76")	203 (8.00")	254 (10.00")	1083 (42.64")	1108 (43.62")	1143 (45.00")	1169 (46.00")	321 (12.64")	-	381 (15.00")	-
50 HP	326TS	731 (28.78")	430 (16.93")	371 (14.61")	121 (4.76")	203 (8.00")	254 (10.00")	1083 (42.64")	1108 (43.62")	1143 (45.00")	1169 (46.00")	321 (12.64")	-	381 (15.00")	-
60 HP	364TS	780 (30.71")	483 (19.02")	380 (14.96")	127 (5.00")	229 (9.00")	254 (10.00")	1108 (43.62")	1336 (52.60")	1169 (46.00")	13.97 (55.00")	371 (14.64")	499 (19.65")	432 (17.00")	559 (22.00")
75 HP	365TS	780 (30.71")	483 (19.02")	380 (14.96")	127 (5.00")	229 (9.00")	254 (10.00")	1108 (43.62")	1336 (52.60")	1169 (46.00")	13.97 (55.00")	371 (14.64")	499 (19.65")	432 (17.00")	559 (22.00")
100 HP	405TS	966 (38.03")	516 (20.31")	457 (17.99")	127 (5.00")	254 (10.00")	254 (10.00")	-	1336 (52.60")	-	13.97 (55.00")	-	499 (19.65")	-	559 (22.00")
125 HP	444TS	1124 (44.25")	581 (22.87")	497 (19.57")	127 (5.00")	280 (11.00")	280 (11.00")	-	1336 (52.60")	-	13.97 (55.00")	-	499 (19.65")	-	559 (22.00")
150 HP	445TS	1124 (44.25")	581 (22.87")	497 (19.57")	127 (5.00")	280 (11.00")	280 (11.00")	-	1336 (52.60")	-	13.97 (55.00")	-	499 (19.65")	-	559 (22.00")

1265000422 Rev-

PUMP MODEL	INLET	OUTLET	DIMENSIONS IN MILLIMETERS (INCHES)							
			A	B	C	D	E	F	G	H
FM 312 (1 Stage)	2.5"	2.5"	141 (5.55")	116 (4.57")	746 (29.37")	239 (9.41")	200 (7.87")	211 (8.31")	90 (3.54")	286 (11.26")
FM 322 (2 Stage)	2.5"	2.5"	190 (7.48")	165 (6.50")	795 (31.30")	288 (11.34")	249 (9.80")	211 (8.31")	90 (3.54")	286 (11.26")
FM 322 (3 Stage)	2.5"	2.5"	240 (9.45")	215 (8.46")	845 (33.27")	338 (13.31")	299 (11.77")	211 (8.31")	90 (3.54")	286 (11.26")
FM 342 (4 Stage)	2.5"	2.5"	290 (11.42")	265 (10.43")	895 (35.24")	388 (15.28")	349 (13.74")	211 (8.31")	90 (3.54")	286 (11.26")
FM 512 (1 Stage)	3.0"	2.5"	158 (6.22")	133 (5.24")	786 (30.94")	259 (10.20")	197 (7.76")	219 (8.62")	133 (5.24")	286 (11.26")
FM 522 (2 Stage)	3.0"	2.5"	206 (8.11")	181 (7.13")	834 (32.83")	307 (12.09")	245 (9.65")	219 (8.62")	133 (5.24")	286 (11.26")

All dimensions are in millimeters unless otherwise specified.

Motor dimensions may vary depending on manufacturer and model requested.

Pump dimensions based on sanitary clamp fittings.



FM 3 Sanitary Pump Composite Performance Curve

Speed: 3500 rpm (60 Hertz)

Performance curves based on tests using 70°F water. A tolerance of ±5% applies to all figures.
For vacuum withdrawal applications, please contact Fristam Pumps, USA.

