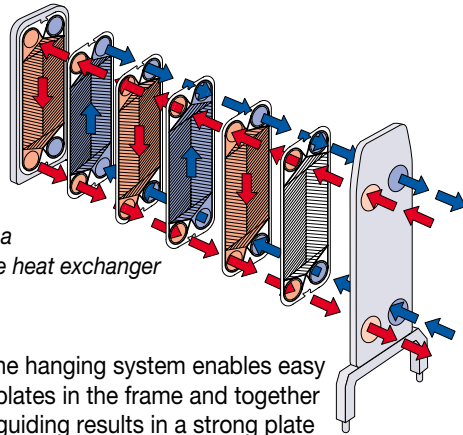


# Tetra Plex® C – plate heat exchangers



Flow principle of a Tetra Plex C plate heat exchanger

plate surface. The hanging system enables easy handling of the plates in the frame and together with the corner guiding results in a strong plate pack.

The plates are reversible and have parallel flow, which means only one type of plate is needed.

## Gasket design

The plates are supplied with glue-free Clip-On gaskets, which are easy to replace even with the plates still hanging in the frame.

## Standard materials

### Plates

Stainless steel AISI 316 with bright annealed finish, titanium or SMO.

### Gaskets

Nitrile-FDA, High Temperature Nitrile-FDA or EPDM-FDA. Clip-On design.

### Frame

Frame and pressure plate in solid stainless steel. Connection plates of mild steel, clad with stainless steel in glass blasted finish. All wetted parts in acid proof stainless steel. Outer surfaces in various grades of stainless steel. Movable nuts on tightening bolts in chromium plated brass.

## Optional

- Thermometer pocket and nib with ventilation cock<sup>1)</sup>
- Thermometer pocket<sup>1)</sup>
- Connection for 51 mm pressure transmitter<sup>1)</sup>
- Protection sheet
- Bolt protections of stainless steel
- 3-A finish
- Connections in titanium or SMO (frame and pressure plate)
- Extended legs
- Extra standard wrench or pneumatic tightening tool
- Commissioning kit, gaskets
- Test certificates and material certificate
- Testing by authorised inspection companies

All options are not available on all models

<sup>1)</sup> At through pass corners in connection plates

## Technical data

### Connections

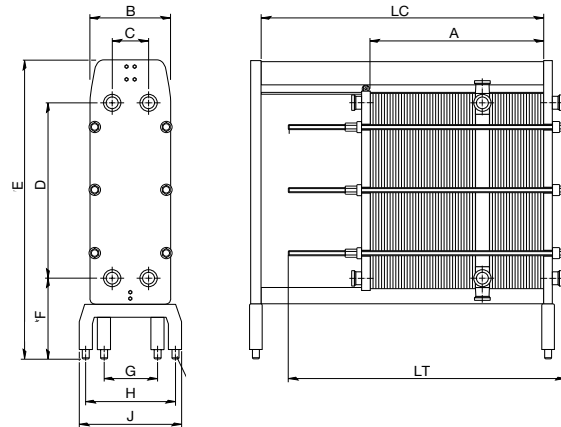
DIN, SMS, TRI-CLAMP, B.S./RJT and IDF/ISO male parts. Others on request.

### Max. working pressure

Frame SR – 1,0 MPa (10 bar) overpressure  
 Frame SM – 1,6 MPa (16 bar) overpressure  
 Frame SH – 2,1 MPa (21 bar) overpressure

Complies with AD Merklblätter (Germany) or Swedish Pressure Vessel Codes.

## Dimensions



Overall length, LC, as well as A and LT, vary depending on number of plates and connecting plates. Recommended free space around the unit is 1,5 meter at sides and frame head end.

	Tetra Plex C6	Tetra Plex C8	Tetra Plex C10
<b>Measurements, mm</b>			
B	370	500	670
C	129	220	324
D	859	1 095	1324
E	1 420*	1 850*	2 160*
F	400*	500*	500*
G	240	320	320
H	460	590	750
J	520	670	830
*Adjustable feet ± 40 mm			
<b>Connection</b>			
Diameter, mm	51	76	76/101,6
<b>Plates</b>			
Plate pattern	Chevron	Chevron	Chevron
Surface, m <sup>2</sup>	0,18	0,38	0,62
Overall dimensions, mm	1 000 x 250	1 250 x 375	1 500 x 500
Port dimensions, mm	55	80	105
Thickness, mm	0,5/0,6/0,7	0,5/0,6/0,7	0,5/0,6/0,7
<b>Capacity</b>			
Pasteurisation, l/h	15 000	35 000	65 000
Heating/Cooling, l/h	15 000	35 000	65 000
Water, l/h	30 000	75 000	130 000